

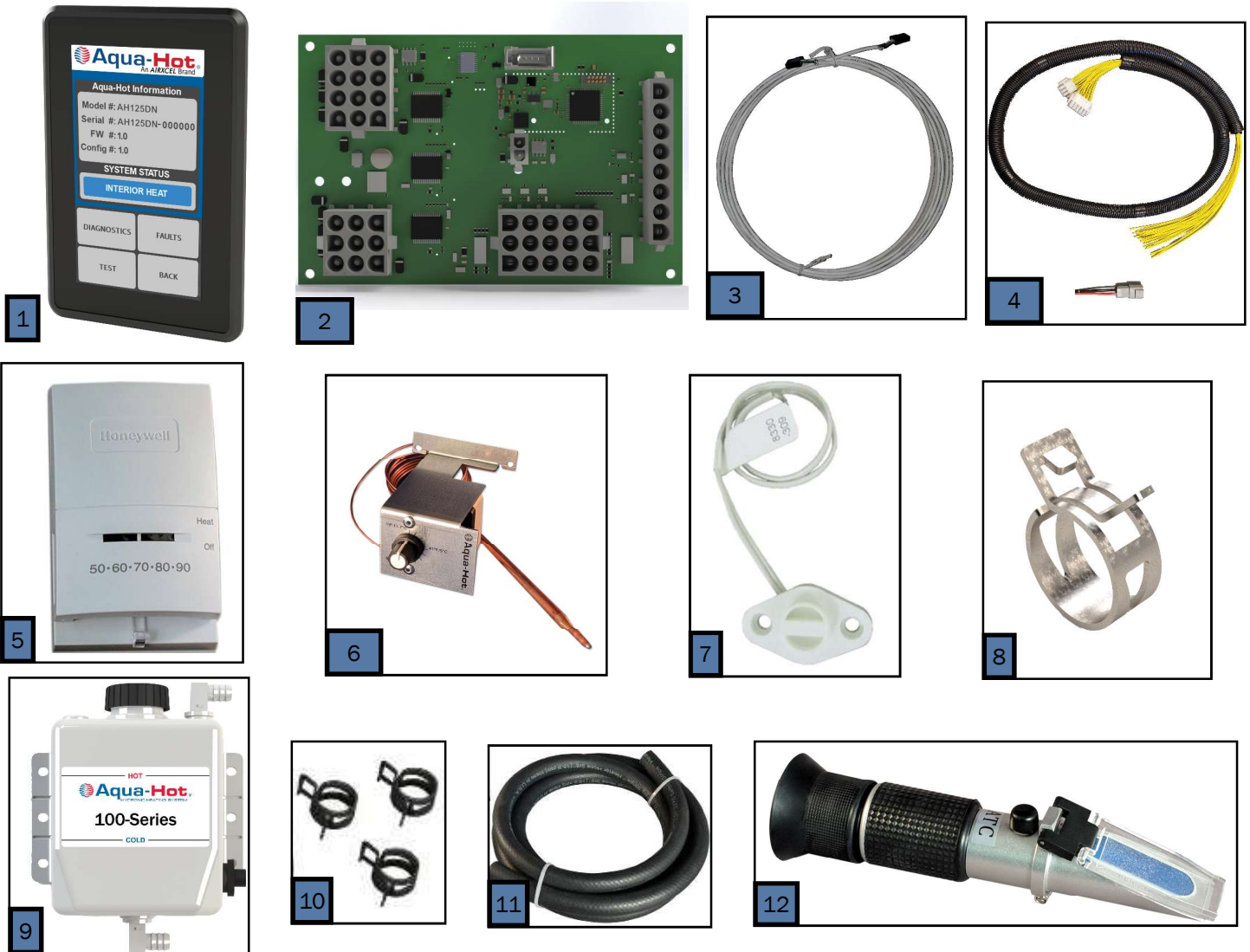
Parts Manual

100 Series

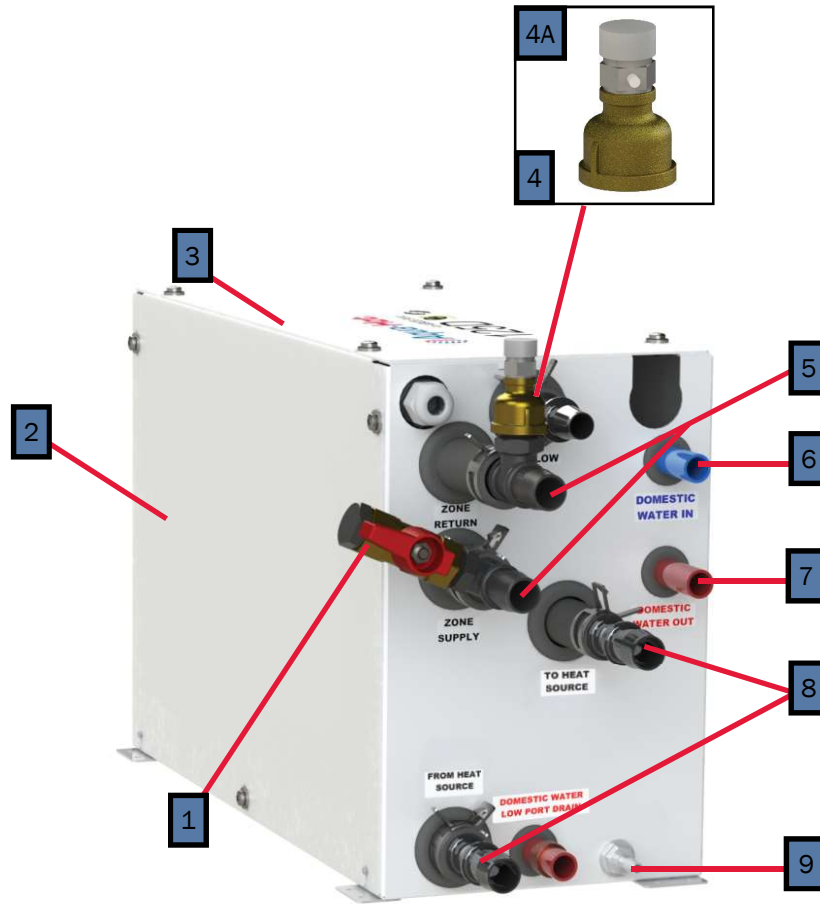


AHE-125-DN1

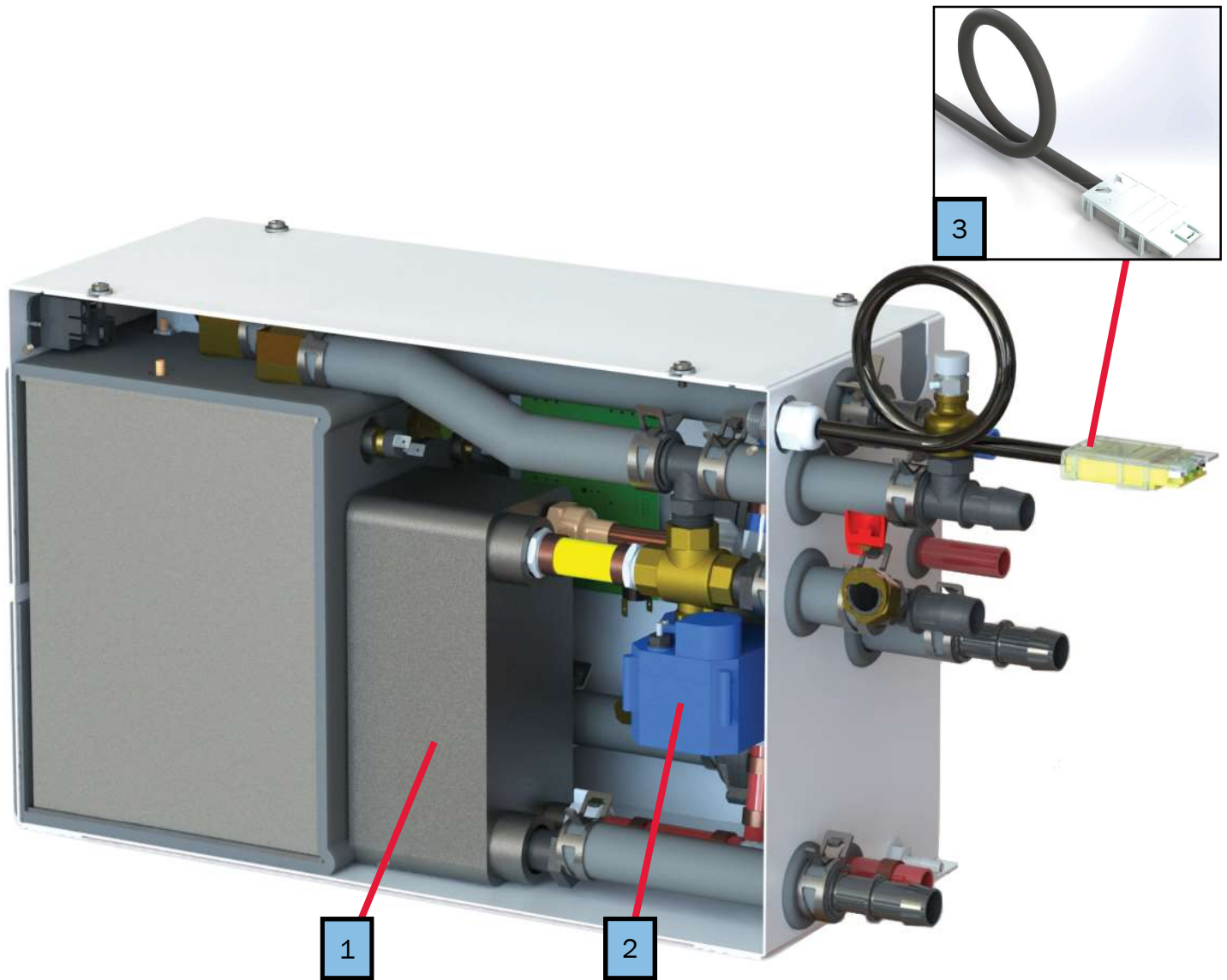




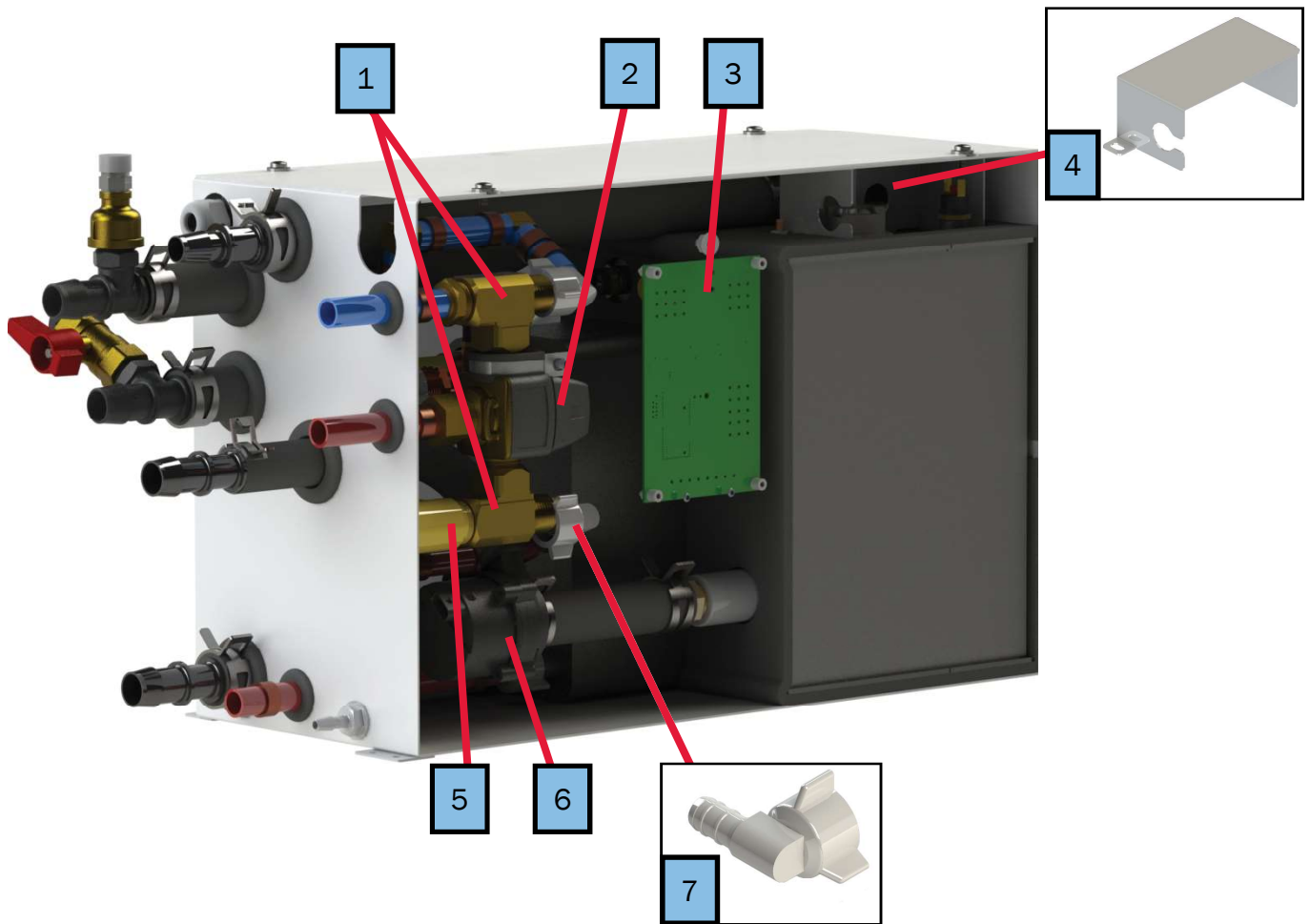
Key	Part Number	Beginning of Use	Description
1	ELE-LCD-100	Launch	Aqua-Hot LCD Screen
2	ELE-PCB-100	Launch	Controller, Aqua-Hot PCB
3	ELE-RVC-100	Launch	RVC Display Cable
4	ELE-100-111	Launch	Kit, Coach-side Controller Components
5	ELX-700-007	Launch	Room Thermostat, Positive Off
6	ELX-500-510	Launch	Low Temperature Bay Thermostat Assembly
7	ELX-THM-309 (white) or ELX-THM-310 (black)	Launch	Thermistor, 10K NTC, Room Temperature Sensor
8	PLX-CTB-290	Launch	Clamp, Hose, Constant Tension 1-1/16"
9	MSE-063-200	Launch	Overflow Bottle with Fluid Level Sensor
10	PLX-CTB-230	Launch	Constant Tension Hose Clamp, 5/8"
11	PLX-000-200	Launch	Hose, 5/8" Safety Stripe, Rubber
12	MSX-907-162	Launch	Antifreeze Refractometer (Tester)



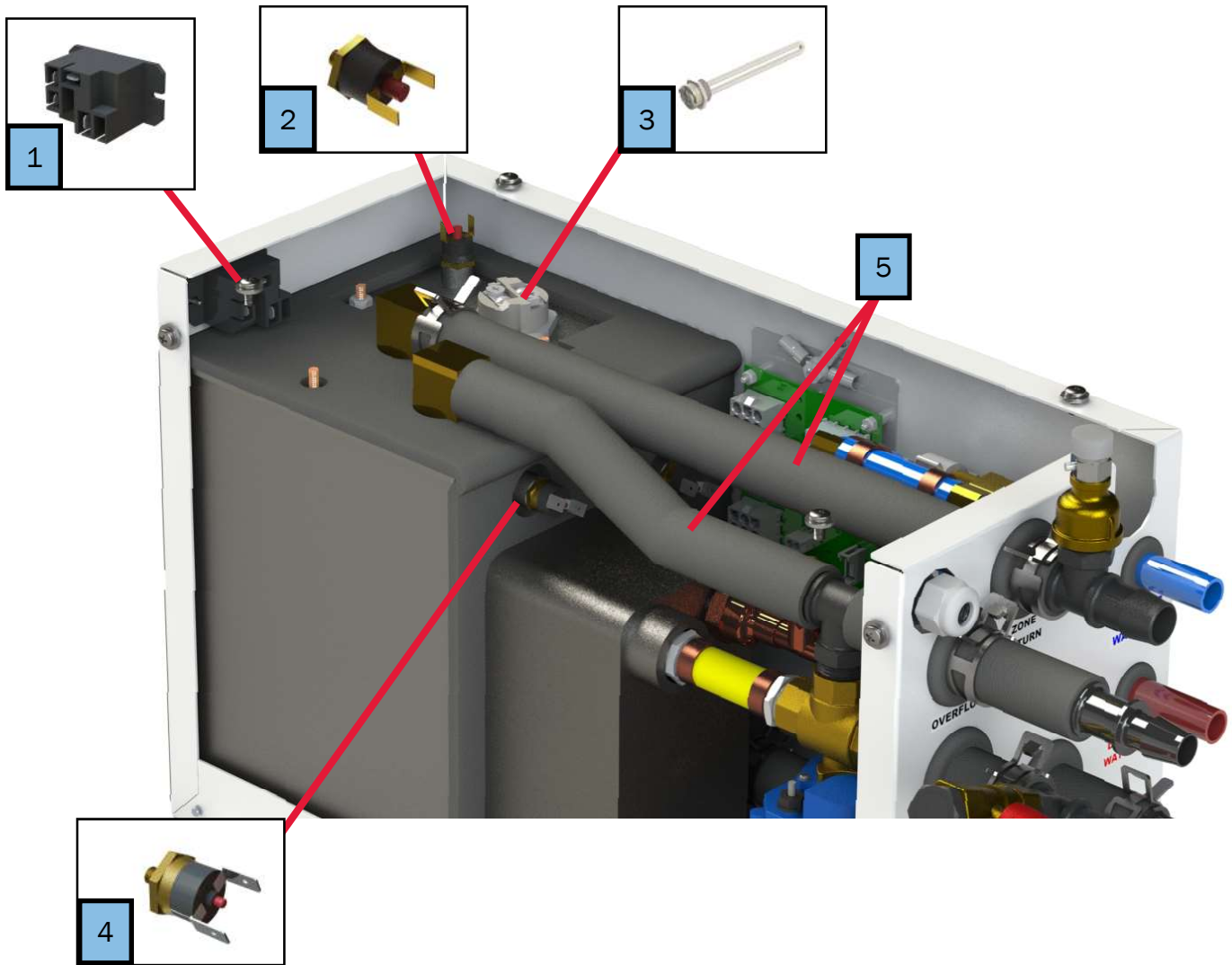
Key	Part Number	Date of Use	Description
1	PLX-BV1-200	Launch	Brass Ball Valve ½" (F) NPT
2	SME-102-101	Launch	Cabinet Side Panel
3	SME-102-102	Launch	Cabinet Lid
4	PLX-102-203	Launch	Brass Thread Adapter, ½" to ⅛"
4A	PLX-102-101	Launch	125PSI Auto Vent, ⅛" Inlet
5	PLX-250-203	Launch	Barbed Nylon Tee Fitting, ½" (M) NPT to ¾"
6	PLX-112-300	Launch	Cons Tube ½" Blue PEX
7	PLX-112-200	Launch	Cons Tube ½" Red PEX
8	PLX-000-825	Launch	Fitting, Coupler, ¾" Hose
9	PLX-102-208	Launch	Fitting, ¼" NPSM x ¼" Barb, GFBN



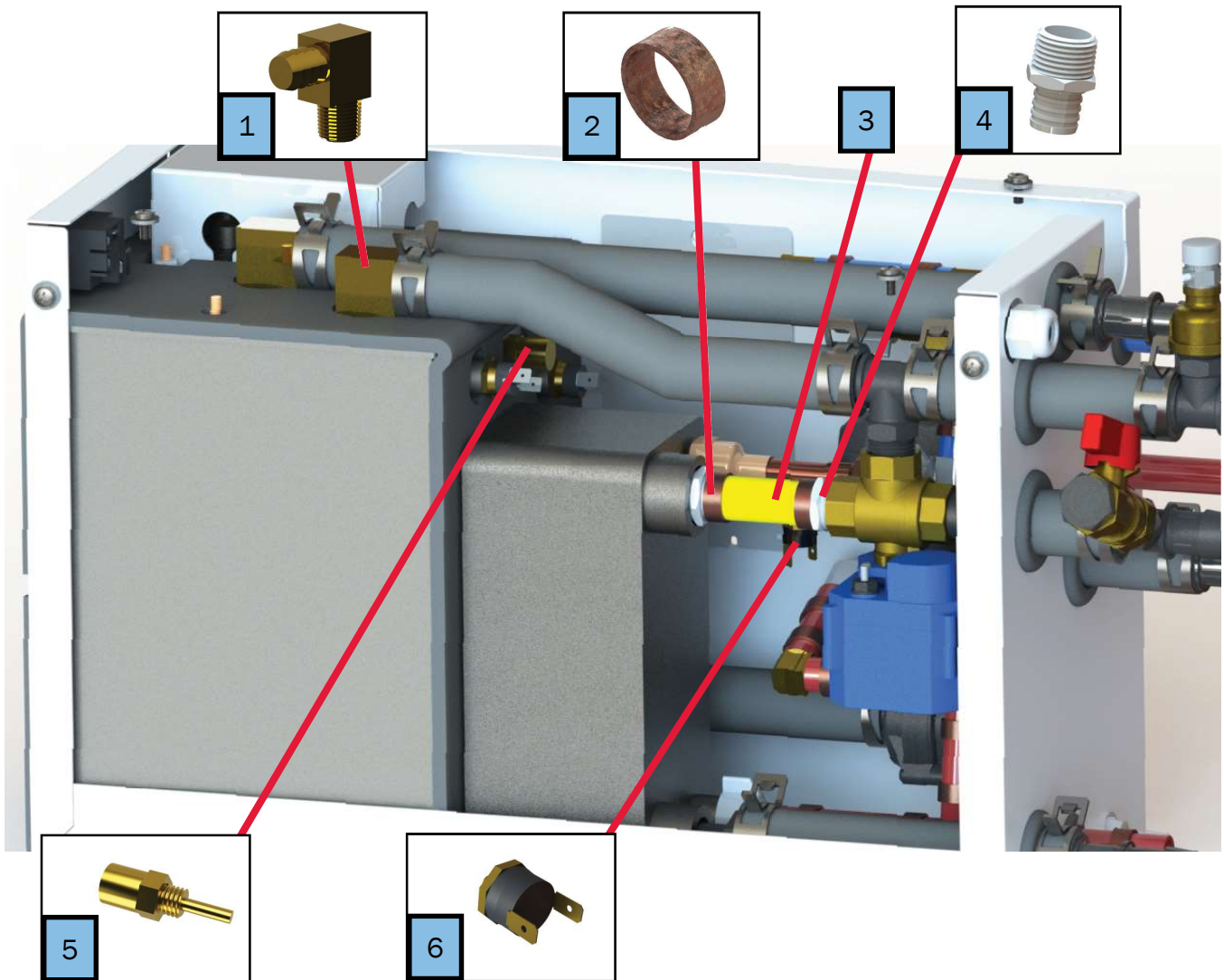
Key	Part Number	Date of Use	Description
1	PLX-102-100	Launch	Wort Heat Exchanger
2	PLE-125-3WV	Launch	Kit, Three-Way Motorized Valve Replacement for 125DN
-	PLX-200-103	Launch	1/2" MNPT to 3/4" Barb
-	PLX-250-208	Launch	Barbed Nylon Tee Fitting, 1/2" (M) NPT to 3/4" Barb
-	PLX-251-001	Launch	Three-Way Motorized Valve, 1/2" NPT
3	ELE-102-201	Launch	Harness, AC for 125DN



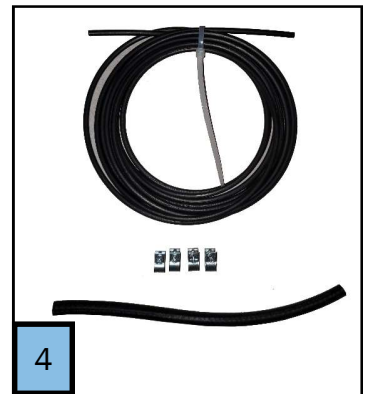
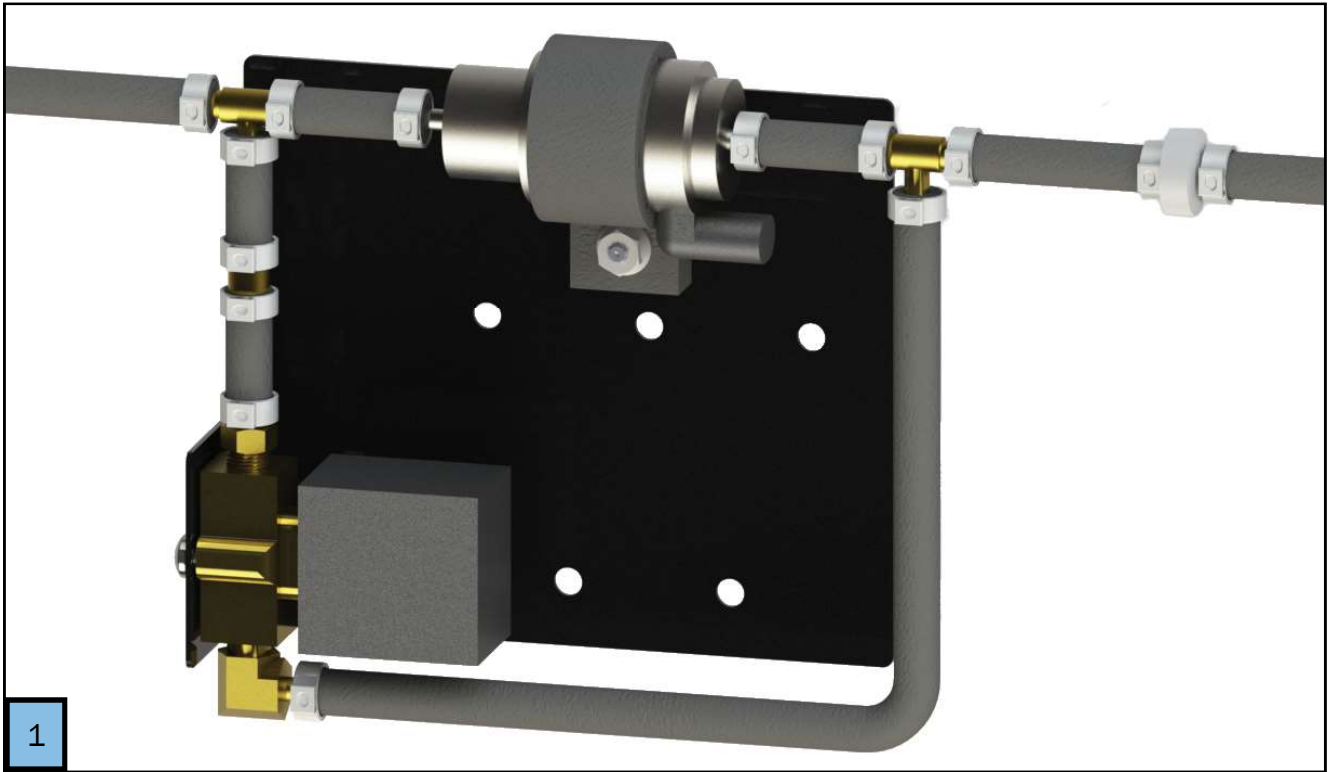
Key	Part Number	Date of Use	Description
1	PLX-0X1-07D	Launch	Brass Tee Fitting, ½" NPT (M) (F)
2	PLX-362-100	Launch	Tempering Valve, ½" NPTM ESBE 120° F
3	ELE-PCB-100	Launch	Controller PCB
4	SME-102-080	Launch	AC Access Cover for 100 Series
5	PLX-111-125	Launch	Pressure Relief Valve 125PSI
6	PLX-100-900	Launch	C21 Buehler Circulation Pump
7	PLX-000-755	Launch	Elbow Swivel Fitting, ½" Barb x ½" NPT



Key	Part Number	Date of Use	Description
1	ELX-232-948	Launch	AC Relay
2	ELE-HLT-426	Launch	VAC High-Limit 215° F Thermostat w/ Spade Connectors
3	ELX-2E7-102	Launch	1500W / 120 VAC Electric Element, 1" NPSM
4	ELE-HLT-425	Launch	VAC High-Limit Thermostat 215° F w/ Leads
5	PLX-000-433	Launch	Heater Hose, I.D. 3/4"



Key	Part Number	Date of Use	Description
1	PLX-102-200	Launch	Brass Elbow 1/2" NPT with 3/4" Barb
2	PLX-102-111	Launch	Ring, Crimp 5/8", Copper
3	PLX-120-630	Launch	5/8" PEX Heater Hose
4	PLX-102-206	Launch	1/2" NPT to 5/8" PEX Fitting
5	ELE-014-711	Launch	Thermistor, Tank Temperature Sensor
6	ELE-LTC-200	Launch	Low-Temp Cut-Off Thermostat w/ Spade Terminals



Key	Part Number	Date of Use	Description
1	PLX-125-HA1	Launch	Kit, High Altitude Assembly 125DN
2	PLX-125-003	Launch	Fuel Filter 100 Series
3	WPX-102-100	Launch	Burner, Webasto Truck Kit
4	PLE-125-FL1	Launch	Kit, Fuel Line, 125DN

Parts Manual

100

SERIES



Aqua-Hot Heating Systems, LLC
7501 Miller Drive, Frederick, CO 80504

Visit us online at www.aquahot.com
Call us at 574-AIR-XCEL (574-247-9235)

©2021 Aqua-Hot Heating Systems, LLC. Printed in the USA