

Parts Manual

# 200 Series



AHE-250-D02



## Introduction

The purpose of this manual and the information contained herein, is to assist with the identification of components included with the Aqua-Hot 250-D02 unit which may need to be in need to replacement.

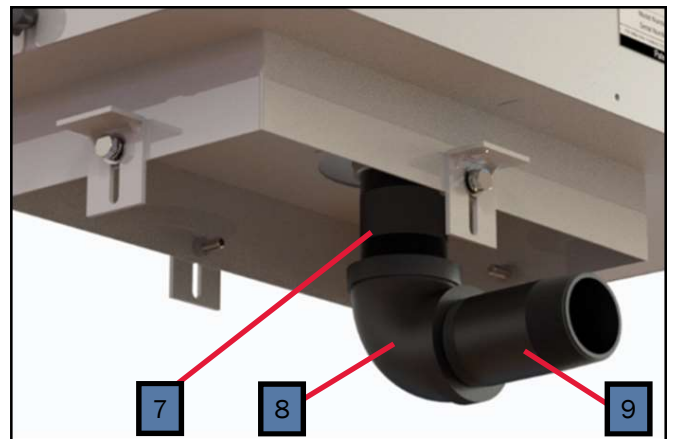
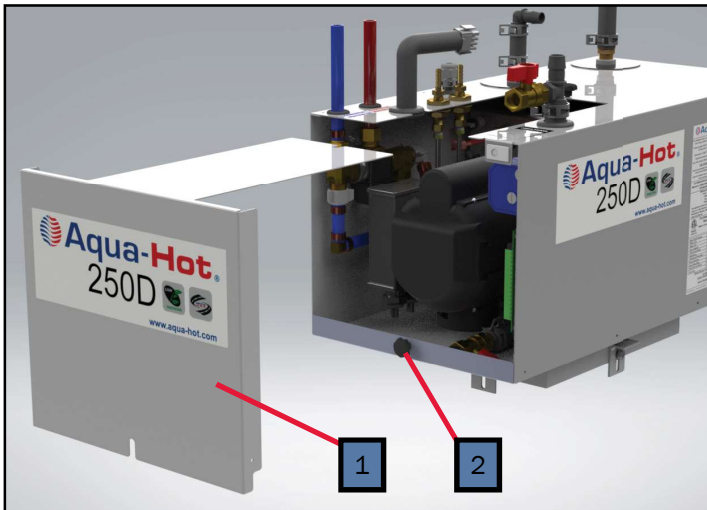
You will notice that some components have been stated multiple times, this is done so as to assist the technician or end-user in correctly identifying components within the Aqua-Hot.

## Contents

<b>General Components</b> .....	3
Access Cover .....	
Thumb Screw .....	
Expansion Bottle Kit .....	
¾" Constant Tension Hose Clamp .....	
Switch Panel Assembly .....	
Rocker Switch .....	
Exhaust System Components .....	
Diesel Fuel Fitting Connections .....	4
90° Hose Elbow w/ 5/8" Barb.....	
Brass Ball Valve (Drain).....	
<b>250-D02 Components</b> .....	5
Lead-Free Braided Stainless Steel Faucet Connector.....	
Danfoss 120° F Tempering Valve .....	
Interlock Switch .....	
Three-Way Motorized Valve.....	
200 Series Relay Control Board .....	
Buehler C21 Fluid Pump.....	6
Fuel Supply Line .....	7
Fuel Return Line .....	
Low-Temperature Cutoff Thermostat .....	
Brass Bulkhead Fitting Diesel Fuel Connection.....	
Control Thermostat/Thermistor.....	
AC Relay.....	8
AC Electric Element .....	
Pressure Relief Valve.....	

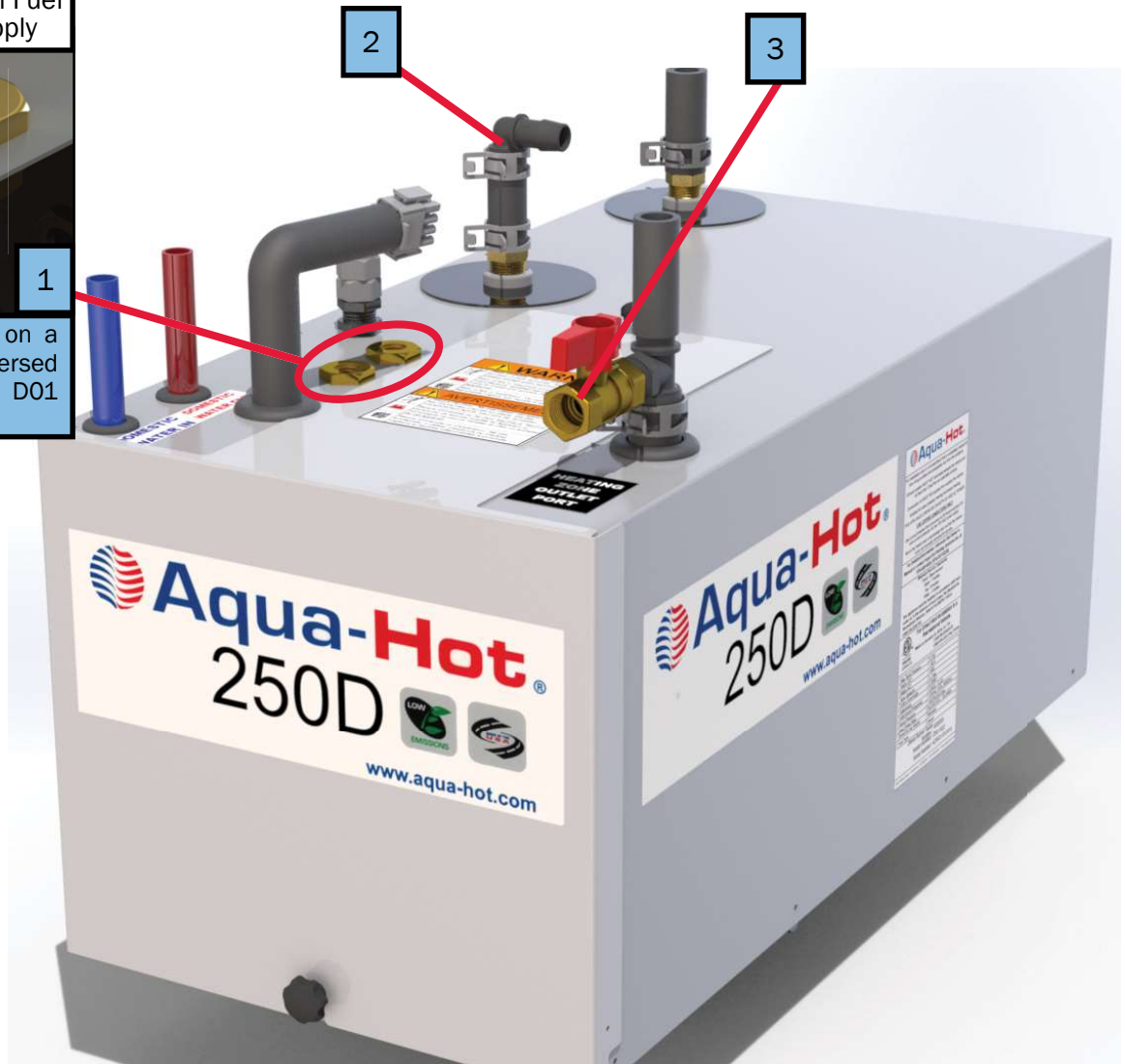
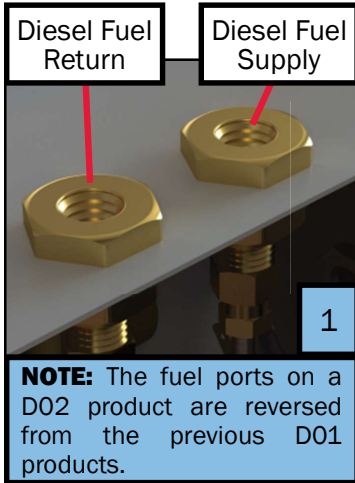
<b>Diesel Burner Components</b> .....	9
Air Shutter .....	
Swirler Housing.....	
Combustion Chamber Gasket.....	
Webasto Diesel Burner .....	10
Fuel Nozzle.....	
Flame Sensor.....	
Fuel Pump .....	
Fuel Solenoid .....	
Ignition Electrode.....	
Photo Disc .....	
Motor Protection Cap .....	
Ignition Coil .....	
Controller.....	11
Ignition Coil .....	
Ignition Wire/Boot .....	
Mounting Plate & Screws.....	
Fuel Pump Motor .....	
C-Plug Harness .....	12
Blower Casting Screw and Washer.....	
Bearing Kit .....	
Grommets .....	
Solenoid Valve .....	13
Electrode Bolts & Washers .....	
Electrode Clamps.....	
Flame Sensor.....	
Photo Disc .....	
Fuel Pump Kit .....	
Fuel Tube.....	
Banjo Bolt & Pipes.....	14
Fuel Pump Mounting Screw & Washer.....	
Fuel Nozzle Manifold .....	
<b>Antifreeze and Related Products</b> .....	15
Pink & Green Propylene Glycol .....	
Brass Elbow Fitting.....	
Fuel Filter .....	
Fuel Pressure Gauge .....	
Antifreeze Refractory Tester.....	
Electrode Adjustment Gauge .....	

**NOTE:** Service parts and accessories are available through Aqua-Hot Factory Authorized Service Centers or at [www.aquahot.com](http://www.aquahot.com).

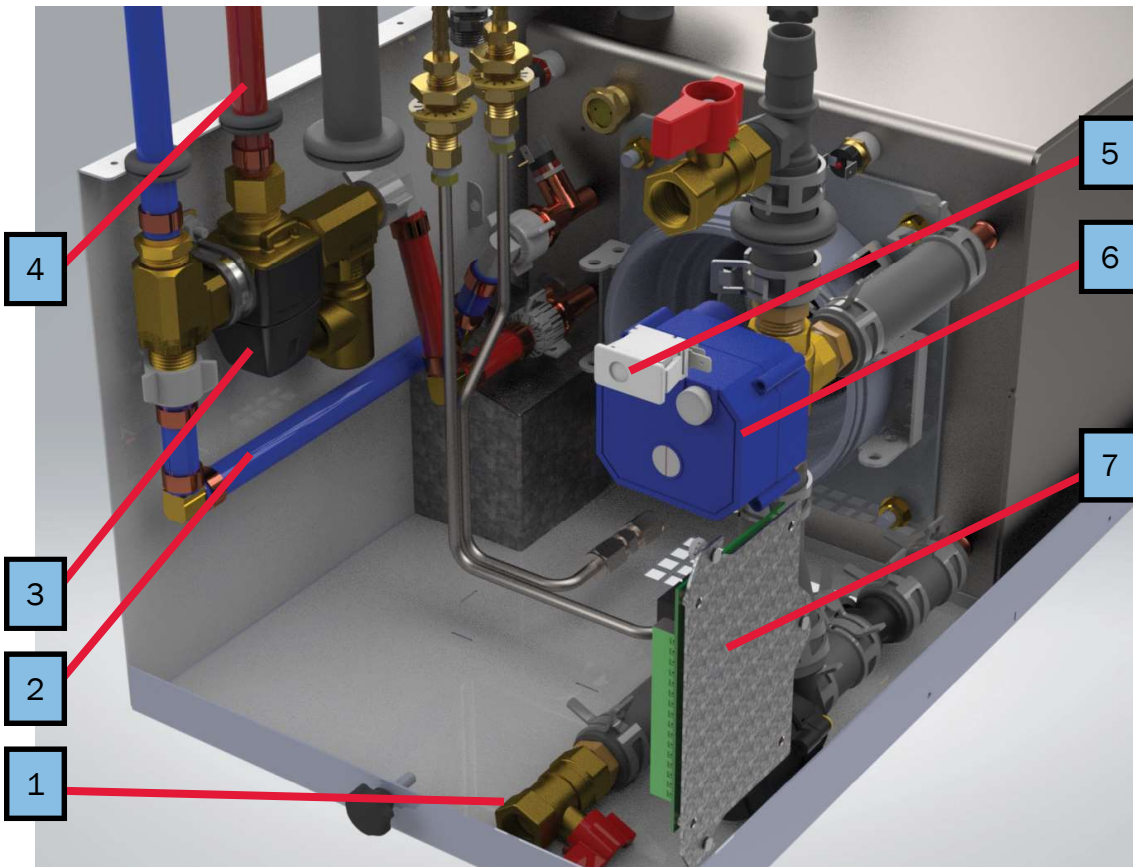


Key	Part Number	Beginning of Use	Description
1	SME-200-002	Launch	Access Cover
2	HDX-010-400	Launch	Star Grip Thumb Screw (x2)
3	MSE-200-OFB	Launch	Kit: Expansion Bottle, Fluid Sensor, Clamps, Hose
4	PLX-CTB-270	Launch	¾" Constant Tension Hose Clamp
5	ELE-000-508	Launch	12V DC Switch Panel Assembly
6	ELX-283-283	Launch	Rocker Switch
7	PLX-664-750	Launch	Pipe Nipple, 3" 1 ½" (M) NPT
8	PLX-11D-028	Launch	90° Exhaust Elbow, 1 ½" (M) NPT
9	PLX-664-730	Launch	Pipe Nipple, 4" 1 ½" (M) NPT

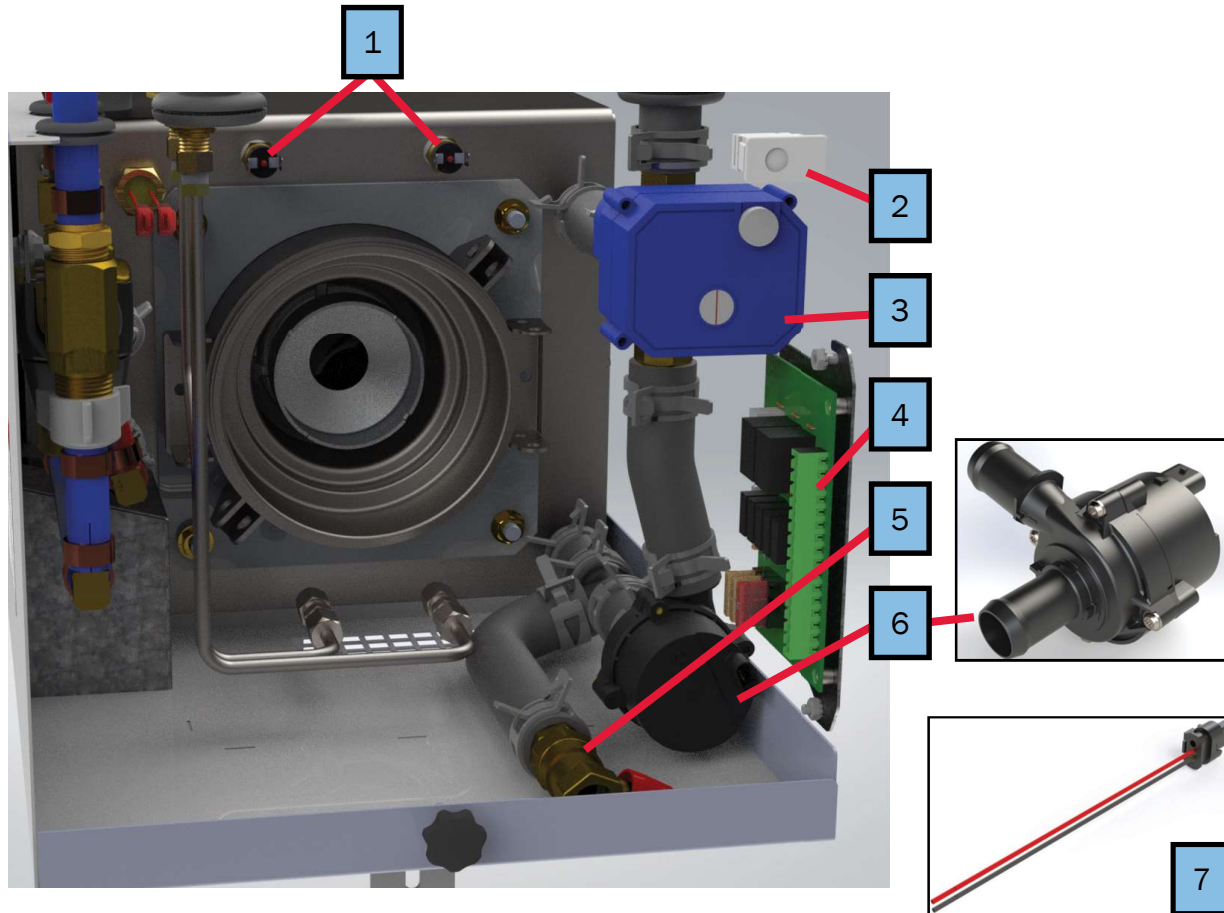
## General Components



Key	Part Number	Date of Use	Description
1	PLX-105-800	Launch	Diesel Fuel Fitting Connection (250D)
2	PLX-200-345	Launch	90° Hose Elbow w/ 5/8" Barb
3	PLX-BV1-200	Launch	Brass Ball Valve 1/2" (F) NPT

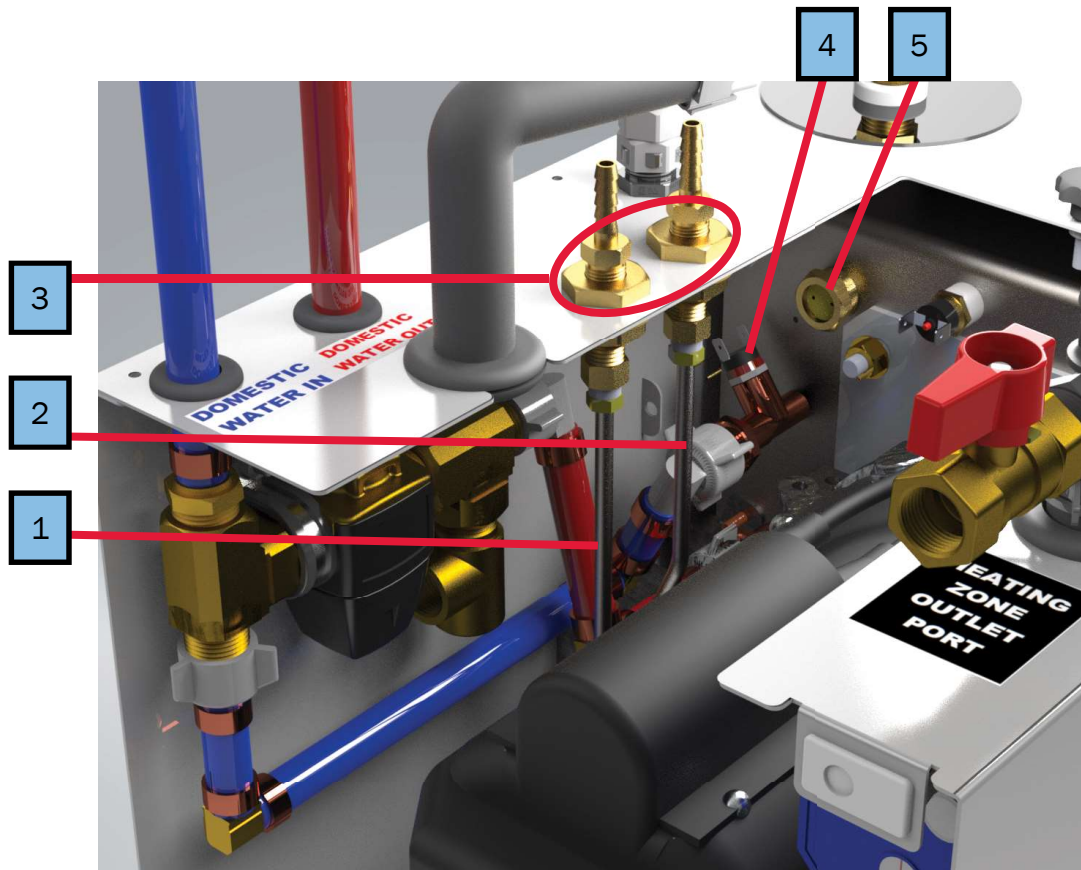


Key	Part Number	Date of Use	Description
1	PLX-BV1-200	Launch	Brass Ball Valve ½" (F) NPT
2	PLX-112-300	Launch	Blue PEX Tube
3	PLX-362-100	Launch	Danfoss 120°F Tempering Valve
4	PLX-112-200	Launch	Red PEX Tube
5	ELX-000-051	Launch	12V DC Interlock Switch
6	PLE-888-250	Launch	Three-Way Motorized Valve Kit
7	ELE-RCB-200	Launch	200 Series Relay Control Board

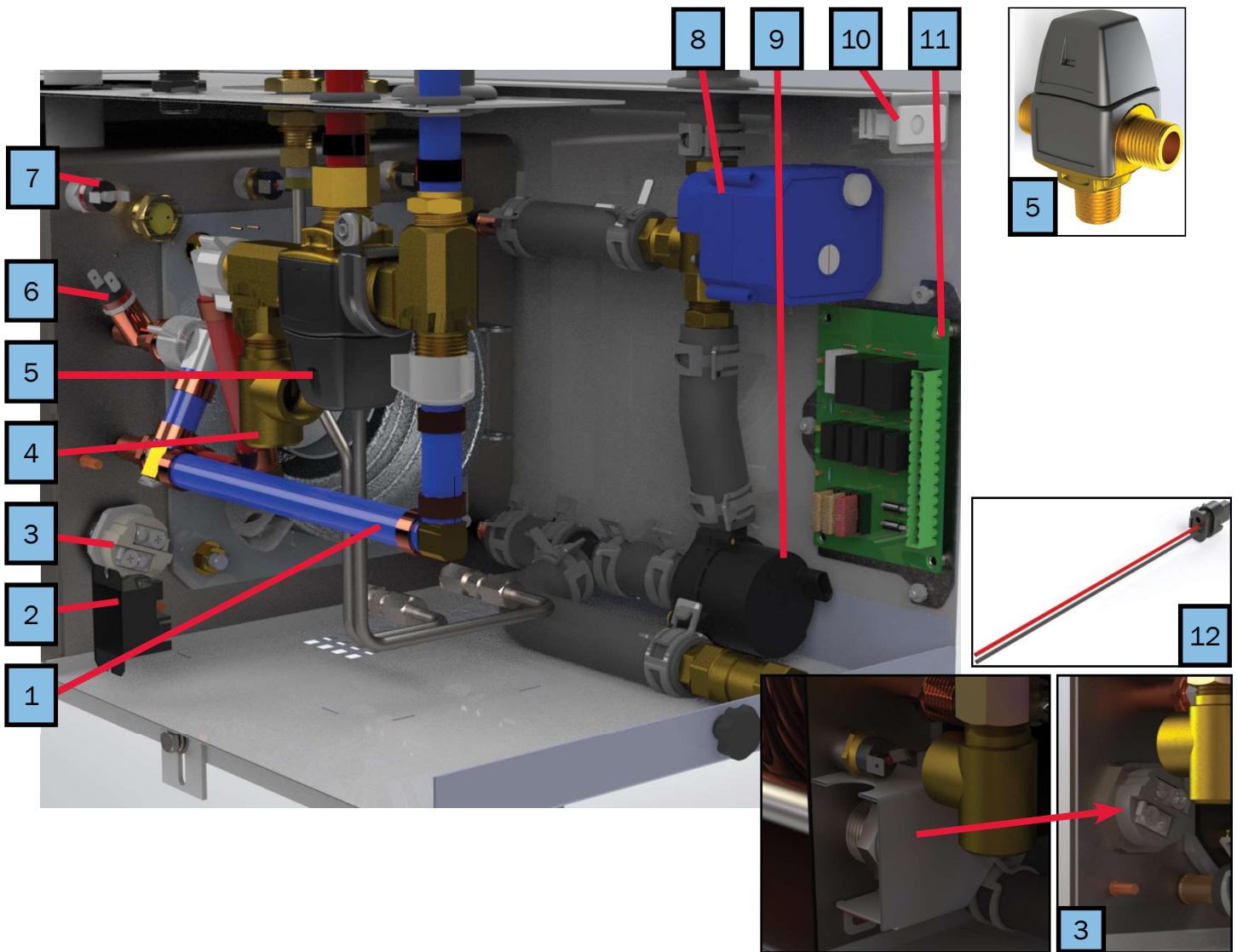


Key	Part Number	Date of Use	Description
1	ELE-HLT-425	Launch	215°F High-Limit Thermostats
2	ELX-000-051	Launch	12V DC Interlock Switch
3	PLE-888-250	Launch	Three-Way Motorized Valve Kit
4	ELE-RCB-200	Launch	200 Series Relay Control Board
5	PLX-BV1-200	Launch	Brass Ball Valve ½" (F) NPT
6	PLX-100-900	Launch	Buehler C21 Fluid Pump
7	ELE-400-900	Launch	Buehler C21 Wire Harness



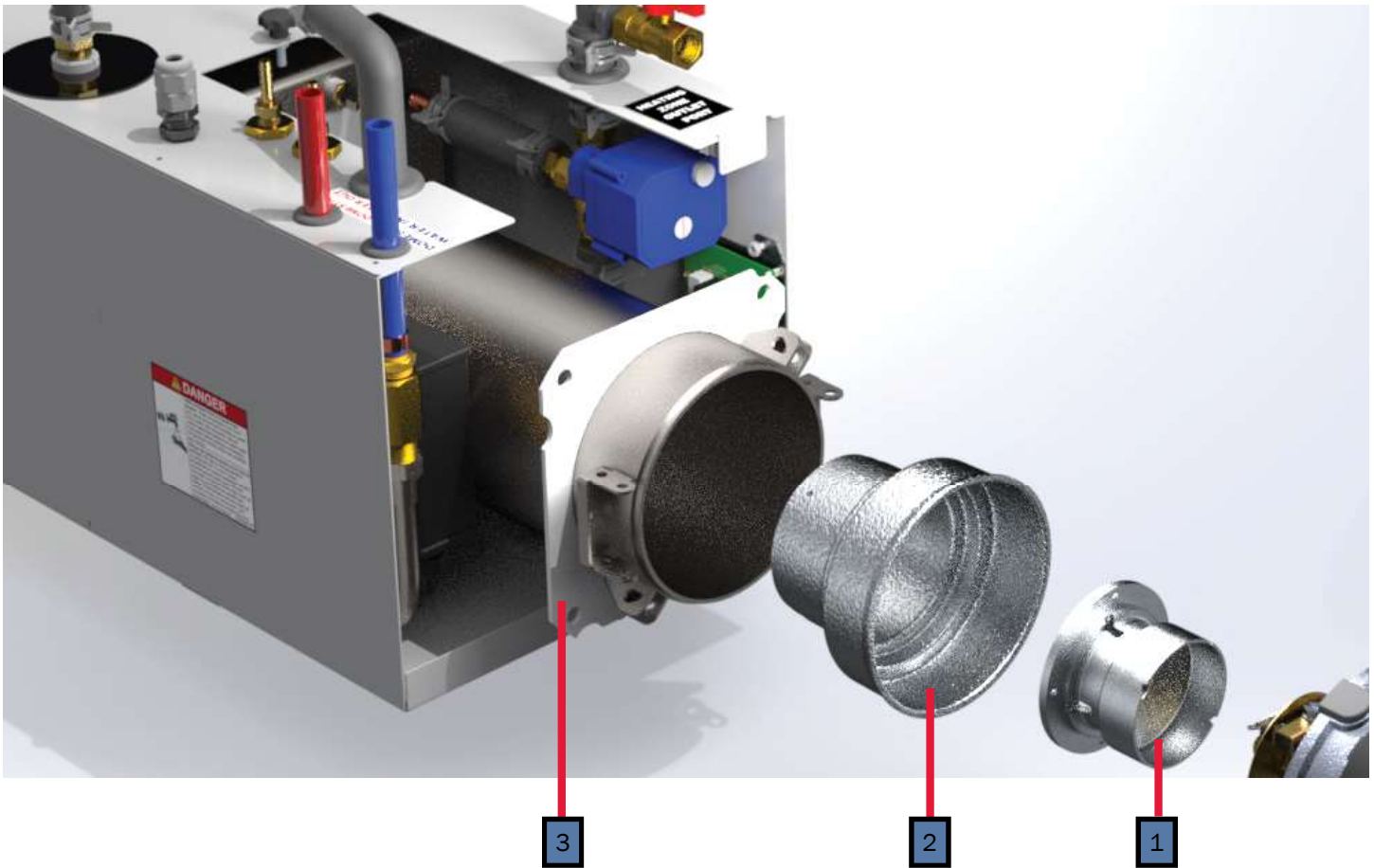


Key	Part Number	Date of Use	Description
1	FLE-250-001	Launch	Fuel Supply Line
2	FLE-250-002	Launch	Fuel Return Line
3	PLX-105-800	Launch	Brass Bulkhead Fitting, ¼" x ¼" (F) NPT
4	ELE-LTC-200	Launch	Low Temperature Cutoff Thermostat
5	ELE-015-011	Launch	Thermostat, Control ½" (M) NPT



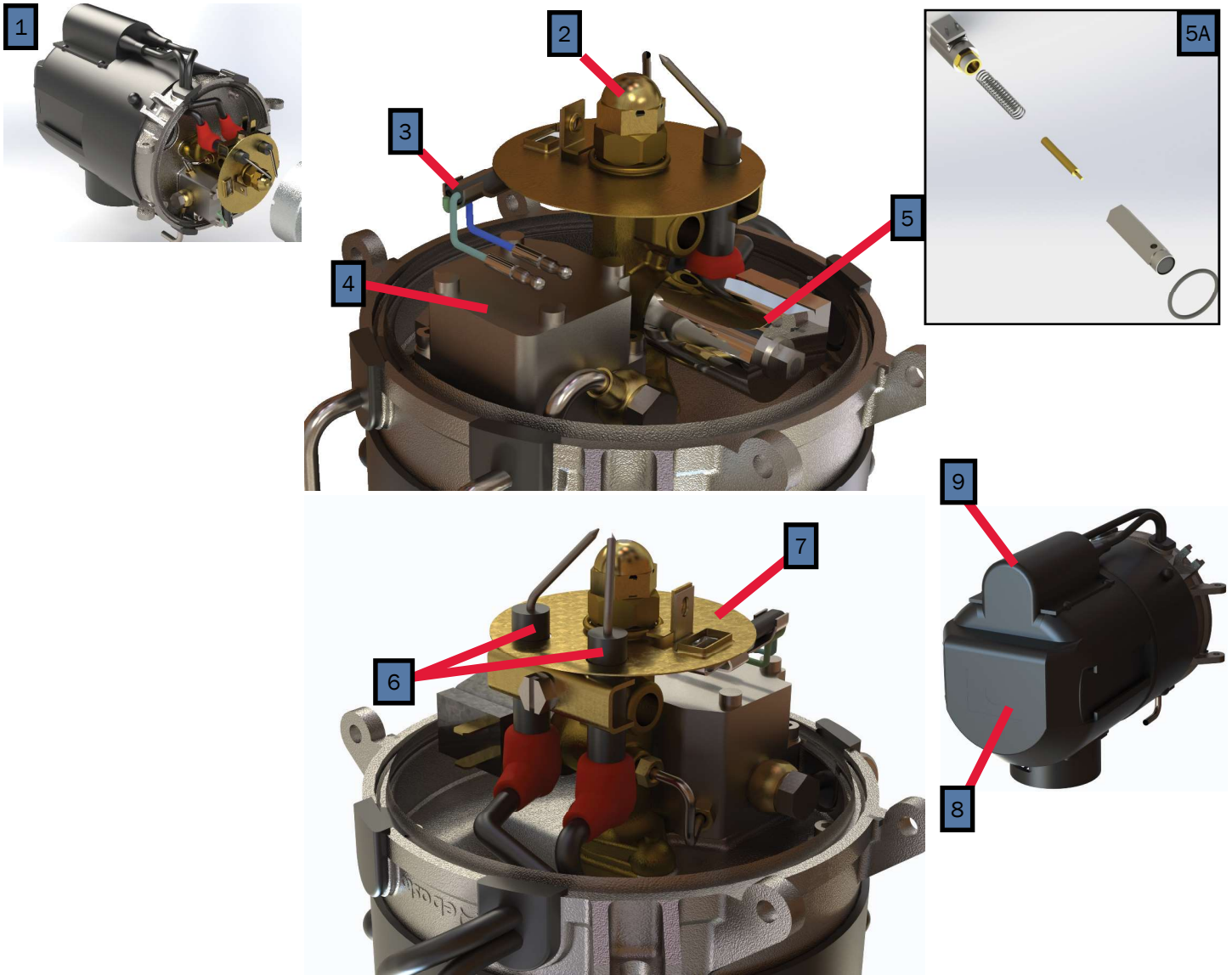
Key	Part Number	Date of Use	Description
1	PLX-112-300	Launch	Blue PEX Tube
2	ELX-232-948	Launch	AC Relay
3	ELX-2E7-250	Launch	1000W AC Element ¾" (M) NPT
4	PLX-111-125	Launch	125PSI Pressure Relief Valve
5	PLX-362-100	Launch	Danfoss 120° F ½" NPT (M) Tempering Valve
6	ELE-LTC-200	Launch	Low-Temperature Cutoff Thermostat
7	ELE-HLT-426	Launch	215° F 120V AC High-Limit Thermostat
8	PLE-251-D01	Launch	Three-Way Motorized Valve Kit
9	PLX-100-900	Launch	Buehler C21 Fluid Pump
10	ELX-000-051	Launch	12V DC Interlock Switch
11	ELE-RCB-200	Launch	200 Series Relay Control Board
12	ELE-400-900	Launch	Buehler C21 Wire Harness



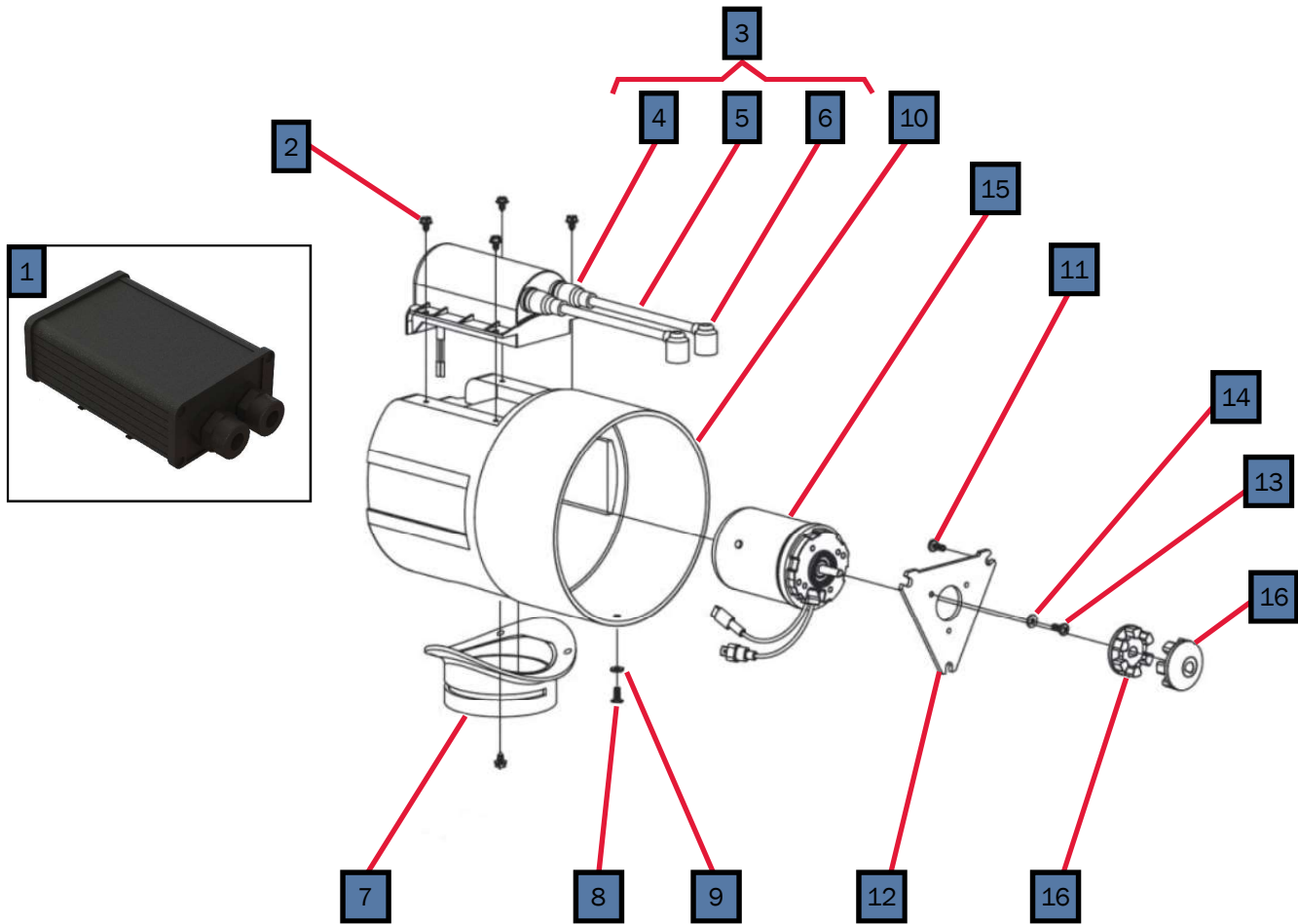


Key	Part Number	Beginning of Use	Description
1	WPX-302-652	Launch	DBW 2010 Air Swirler
2	WPX-302-828	Launch	DBW 2010 Swirler Housing
3	HDE-700-205	Launch	Combustion Chamber Tube Gasket

# Diesel Burner Components

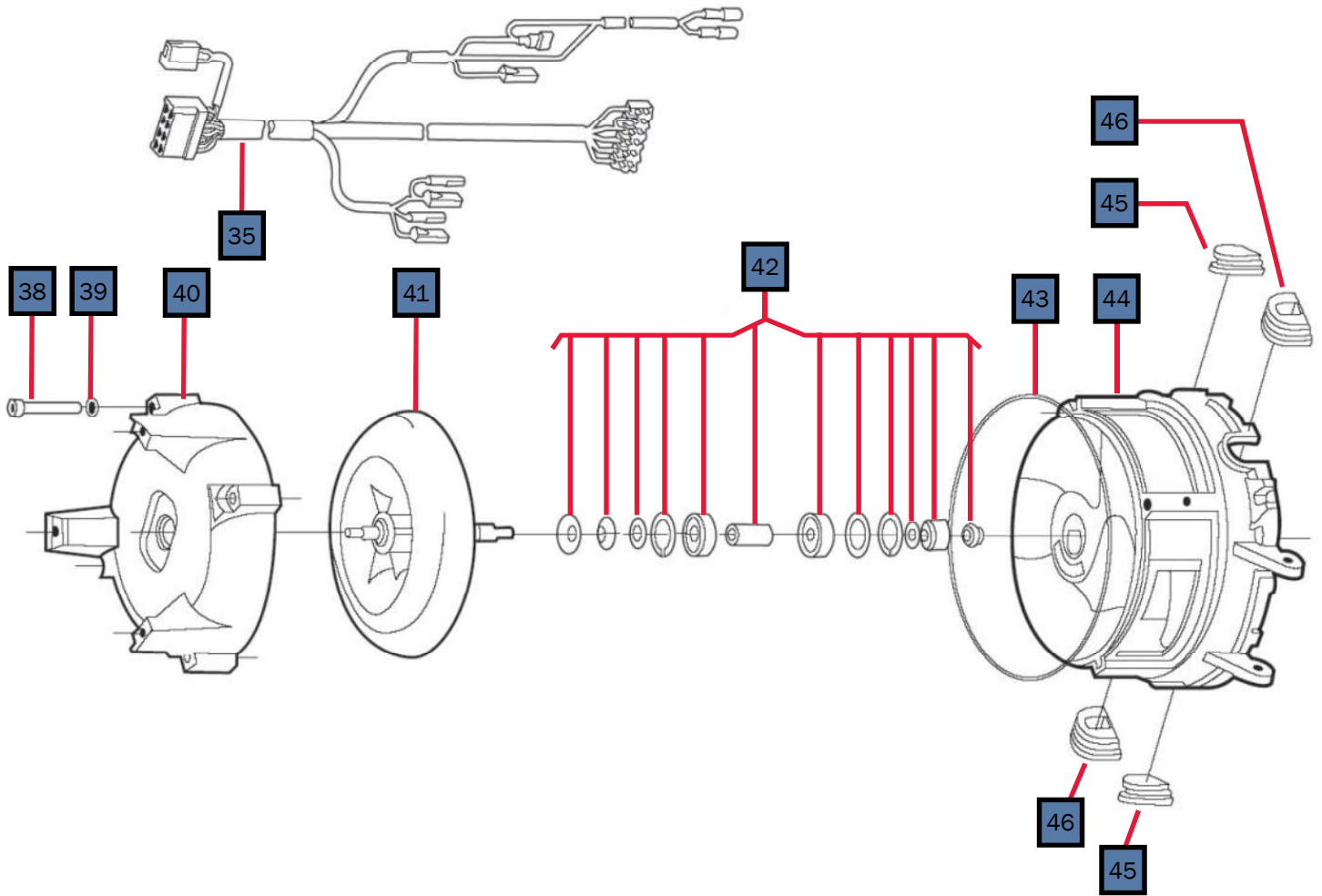


Key	Part Number	Date of Use	Description
1	WPX-909-180	Launch	12V DC Webasto Burner
2	WPX-886-41A	Launch	Diesel Fuel Nozzle
3	WPX-638-78A	Launch	Webasto Flame Sensor Photo Eye
4	WPX-503-03A	Launch	Webasto Fuel 10 Bar Pump Kit
5	WPX-322-083	Launch	Webasto 12V DC Fuel Solenoid Valve
5A	WPX-386-650	Launch	Webasto Fuel Solenoid Rebuild Kit
6	WPX-274-313	Launch	Webasto Ignition Electrode
7	WPX-887-71A	Launch	Webasto Photo Disc
8	WPX-436-216	Launch	Motor Protection Cap
9	WPX-101-838	Launch	Webasto 12V DC Ignition Coil

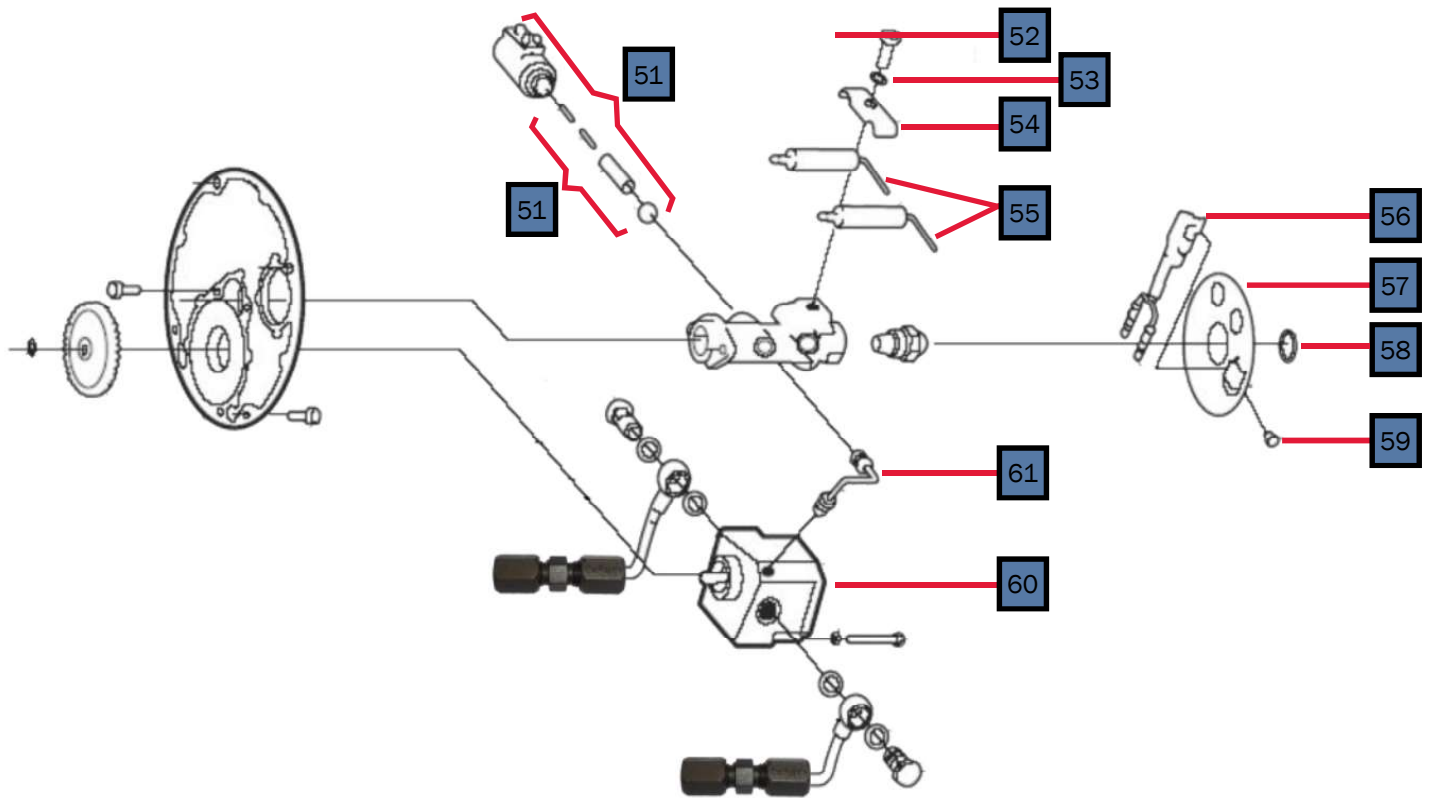


Key	Part Number	Date of Use	Description
1	WPE-300-901	Launch	Webasto Diesel Burner Controller, 12V DC
2	WPX-470-562	Launch	Coil Mounting Screw
3	WPX-101-838	Launch	12V DC Ignition Coil
4	WPX-404-918	Launch	Ignition Wire Boot
5	WPX-178-624	Launch	Ignition Wire
6	WPX-176-494	Launch	Ignition Wire Boot Elbow
7	WPX-350-427	Launch	Combustion Air Intake Shutter
8	WPX-432-377	Launch	Protection Housing Screw
9	WPX-152-269	Launch	Protection Housing Star Washer
10	WPX-436-216	Launch	Motor Protection Cap
11	WPX-147-834	Launch	Blower Housing Flange Screw
12	WPX-425-05A	Launch	Motor Mounting Plate
13	WPX-432-377	Launch	Motor Plate Screw
14	WPX-152-269	Launch	Motor Plate Washer Star
15	WPX-425-060	Launch	Combustion Air/Fuel Pump Motor, 12V DC
16	WPX-350-516	Launch	6mm Clutch Half

# Diesel Burner Components



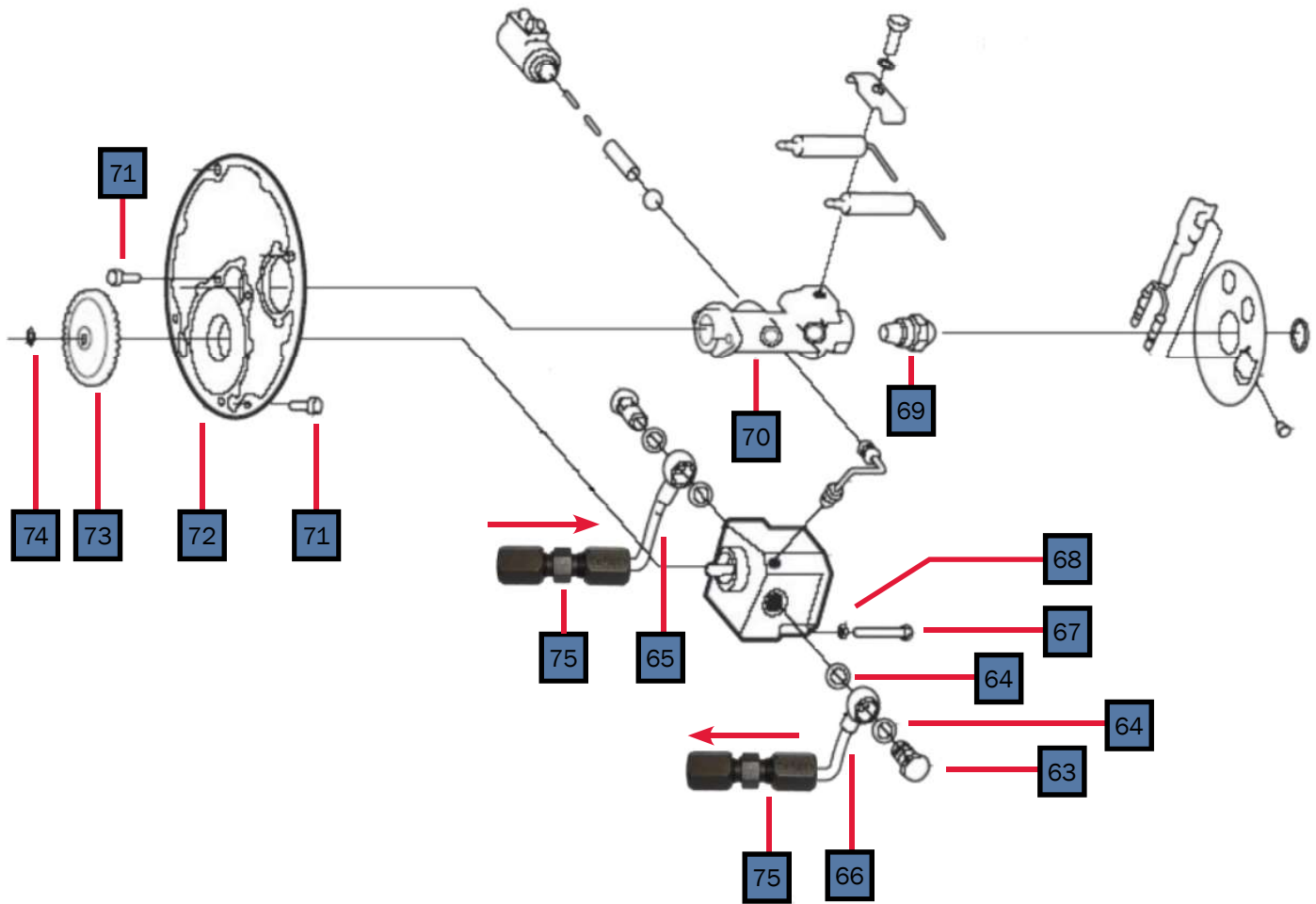
Key	Part Number	Date of Use	Description
35	WPX-434-795	Launch	C-Plug Harness
38	WPX-148-210	Launch	Blower Casting Screw
39	WPX-152-552	Launch	Blower Casting Lock Washer
40	WPX-301-841	Launch	Blower Housing
41	WPX-373-001	Launch	Blower Wheel w/Shaft
42	WPX-378-313	Launch	Bearing Kit
43	WPX-412-244	Launch	O-Ring Blower Casting
44	WPX-225-67A	Launch	Blower Casting
45	WPX-298-964	Launch	Blower Casting <b>Left</b> Grommet
46	WPX-299-995	Launch	Blower Casting <b>Right</b> Grommet



Key	Part Number	Date of Use	Description
50	WPX-322-083	Launch	Fuel Solenoid Valve, 12V DC
51	WPX-386-650	Launch	Fuel Solenoid Valve Kit
52	WPX-267-279	Launch	Electrode Bolt
53	WPX-152-560	Launch	Electrode Lock Washer
54	WPX-278-971	Launch	Electrode Clamp
55	WPX-274-313	Launch	Ignition Electrode
56	WPX-638-78A	Launch	Flame Sensor
57	WPX-887-71A	Launch	Photo Disc
58	WPX-453-048	Launch	Photo Disc Retaining Clip
59	WPX-147-699	Launch	Flame Sensor Screw
60	WPX-503-03A	Launch	Fuel Pump Kit
61	WPX-665-49A	Launch	High-Pressure Fuel Tube



# Diesel Burner Components



Key	Part Number	Date of Use	Description
63	WPX-150-754	Launch	Banjo Bolt
64	WPX-151-157	Launch	Copper Ring Gasket
65	WPX-661-002	Launch	DBW 2010 Fuel <b>Supply</b> Banjo Pipe (w/ straight tube)
66	WPX-661-001	Launch	DBW 2010 Fuel <b>Return</b> Banjo Pipe (w/ straight tube)
67	WPX-277-282	Launch	Fuel Pump Mounting Screw
68	WPX-152-544	Launch	Fuel Pump Lock Washer
69	WPX-886-41A	Launch	Fuel Nozzle 0.35GPH
70	WPX-412-198	Launch	Brass Fuel Nozzle Manifold
71	WPX-277-150	Launch	Nozzle Stand Screw Plate
72	WPX-102-861	Launch	Manifold Plate
73	WPX-371-289	Launch	Nylon Fuel Pump Gear
74	WPX-152-390	Launch	Gear Snap Ring
75	FLX-421-010	Launch	Hex Union Tube Fitting



1



2



3



4



5



6



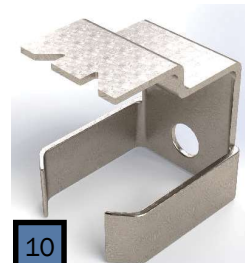
7



8



9



10

Key	Part Number	Date of Use	Description
1	MSX-300-275	Launch	1qt Boiler Antifreeze Concentrate
2	MSX-300-270	Launch	1gal. Pre-Diluted Boiler Antifreeze (Pink)
3	MSX-300-300	Launch	1 gal. Pre-Diluted Boiler Antifreeze (Green)
4	FLX-139-5B0	Launch	Brass 90° Elbow Fitting 5/16” Barb x 1/4” (M)NPT
5	FLE-120-100	Launch	Garber Fuel Filter Cannister Replacement (Filter ONLY)
6	FLX-120-000	Launch	Garber Fuel Filter Assembly
7	PLX-A65-200	Launch	Brass Barb Fitting 90° 5/16” x 1/4” (M)NPT
8	WPE-600-190	Launch	Fuel Pressure Gauge
9	MSX-907-162	Launch	Antifreeze Refractometer (Tester)
10	WPX-310-646	Launch	Electrode Adjustment Gauge

Parts Manual

# 200

SERIES



AHE-250-D02



Aqua-Hot Heating Systems, LLC  
7501 Miller Drive, Frederick, CO 80504

Visit us online at [www.aquahot.com](http://www.aquahot.com)  
Call us at 574-AIR-XCEL (574-247-9235)

©2021 Aqua-Hot Heating Systems, LLC. Printed in the USA