

PARTS MANUAL

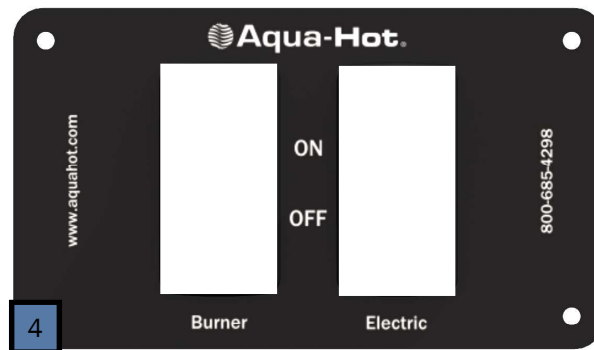
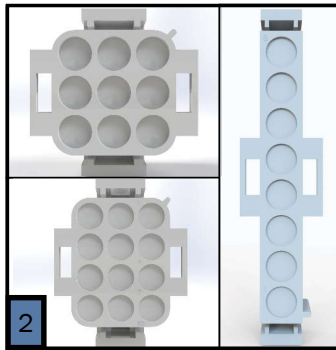
# 400 Series



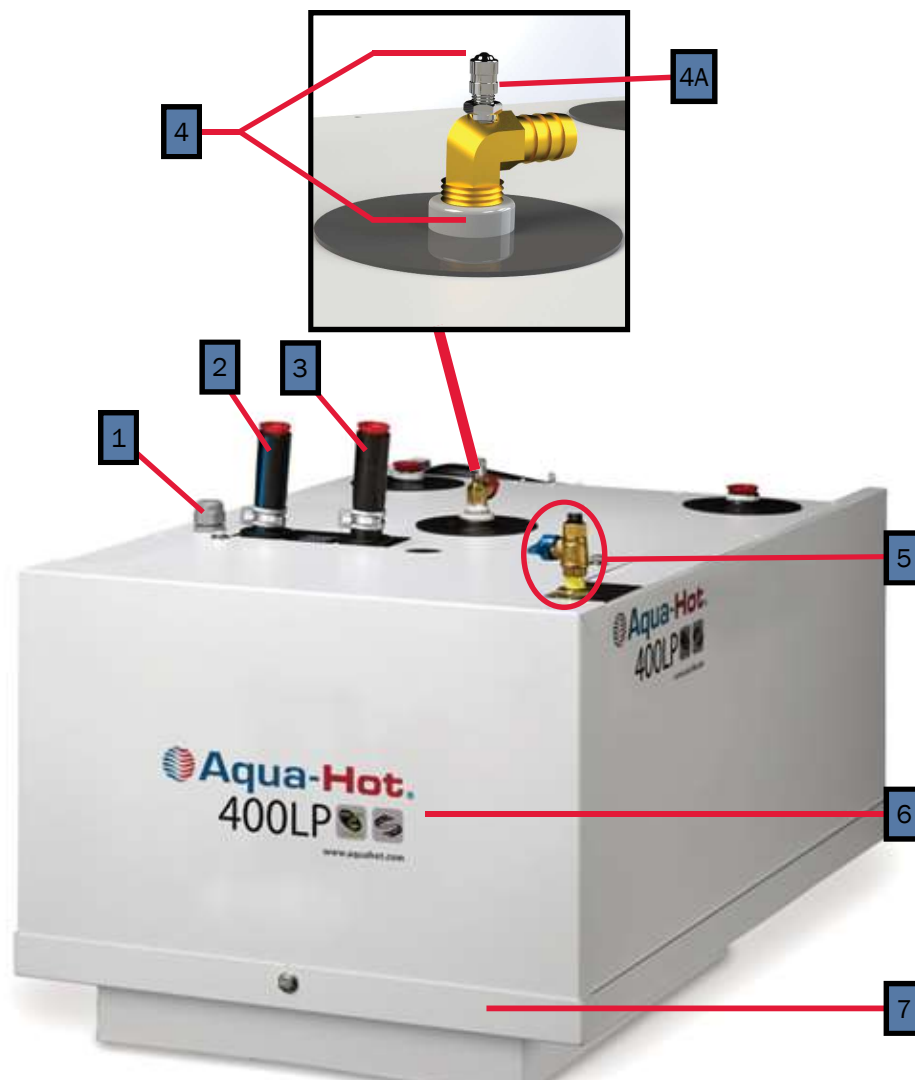
AHE-400-P02  
with



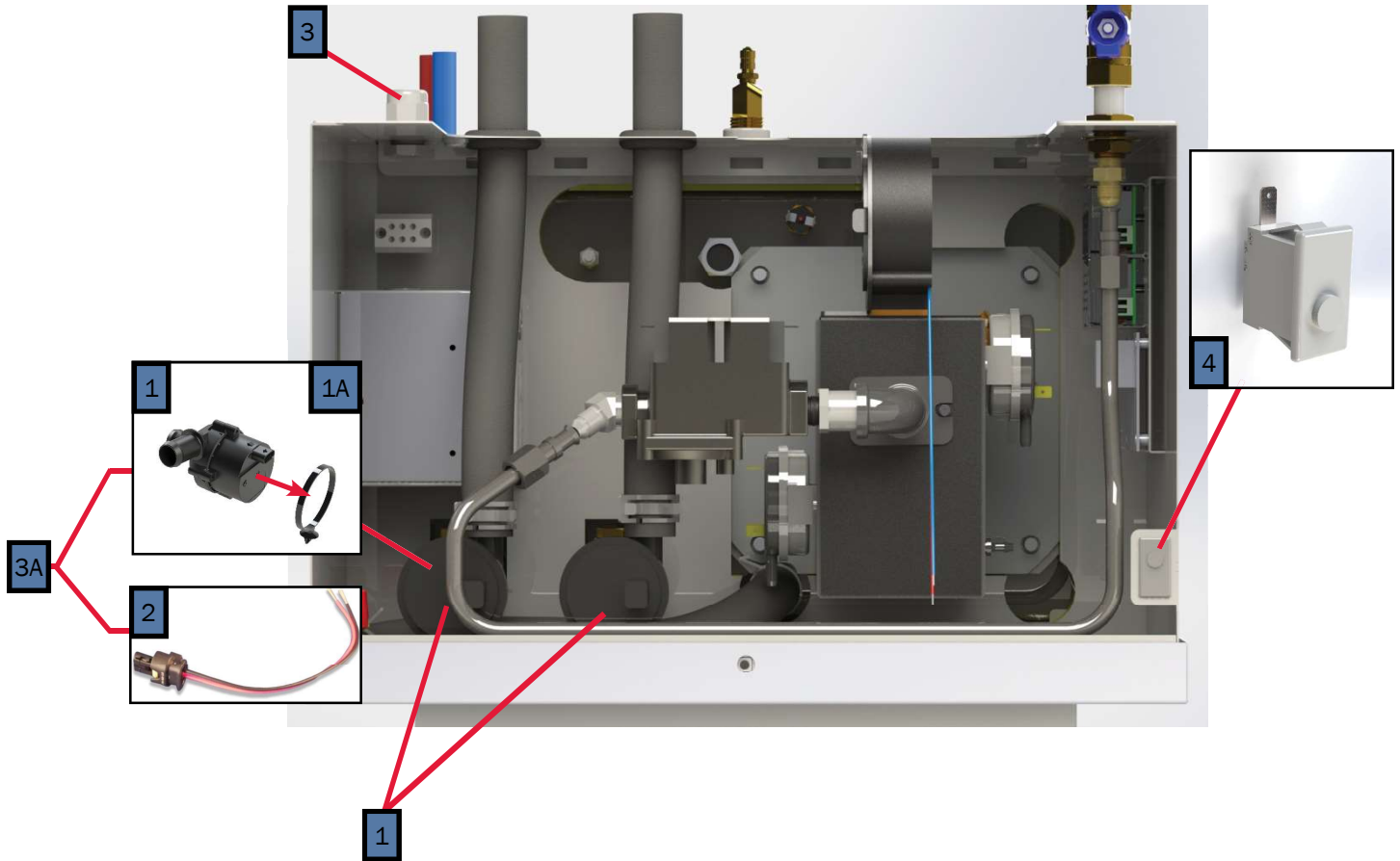
**NOTE:** Service parts and accessories are available through Aqua-Hot Factory Authorized Service Centers or at [www.aquahot.com](http://www.aquahot.com).



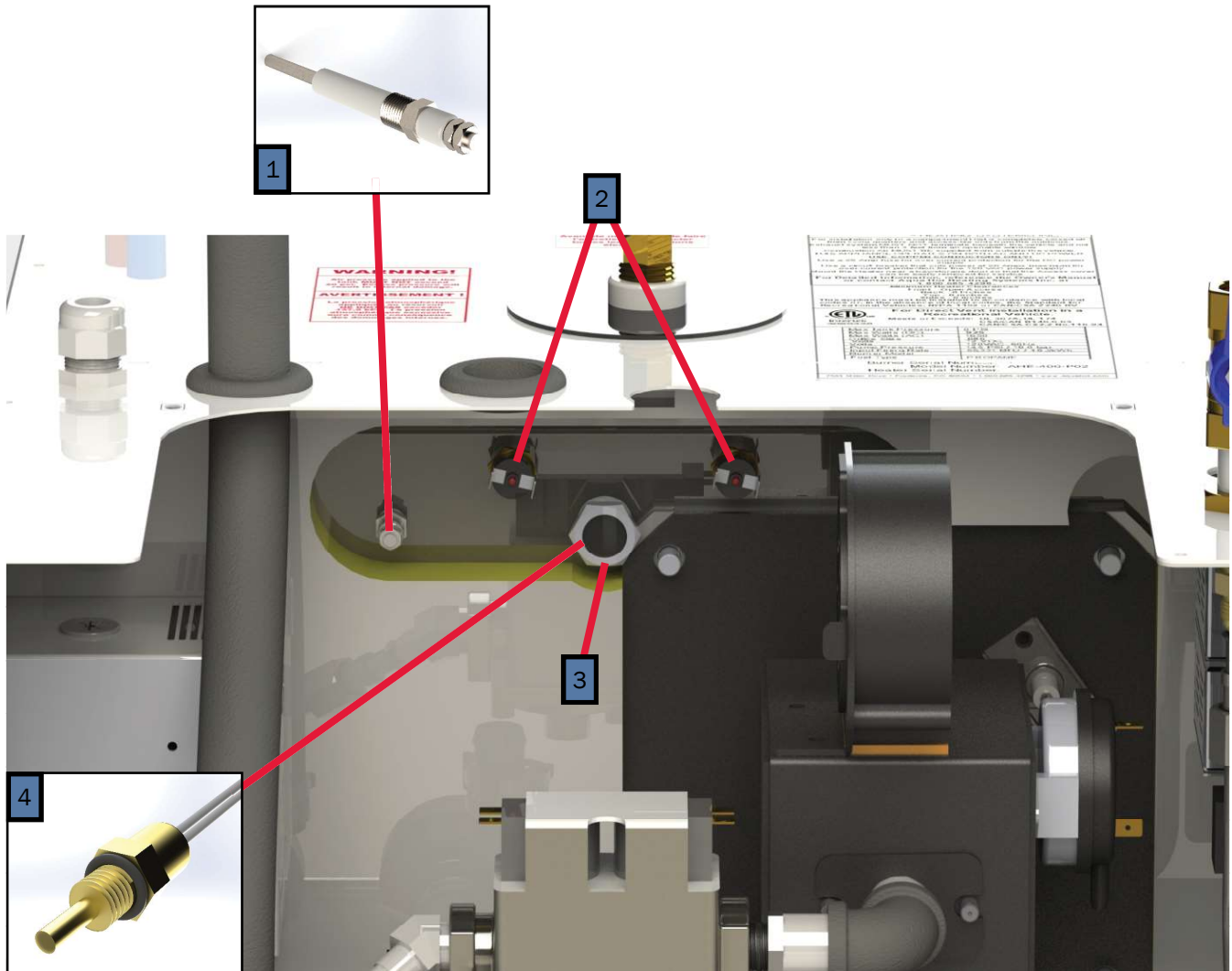
Key	Part Number	Beginning of Use	Description
1	ELE-PCB-501	-	Kit, Reporter Controller w/ Terminals
2	ELE-500-105	-	Reporter OEM Connector Kit
3	ELE-000-508	Launch	2-Position Switch Panel Assembly
4	SME-000-508	Launch	2-Position Switch Panel (44mm x 22mm Cut-outs)
5	ELX-283-283	Launch	4 Terminal 12V LED Rocker Switch (44mm x 22mm Cutout)
6	PLE-070-401	Launch	Tank, 3qt. Expansion Assembly
7	PLE-000-200	Launch	Gates Safety Stripe Expansion Tank Hose Kit
8	PLX-CTB-250	Launch	Clamp, Hose, Constant Tension, <sup>23</sup> / <sub>32</sub> in.



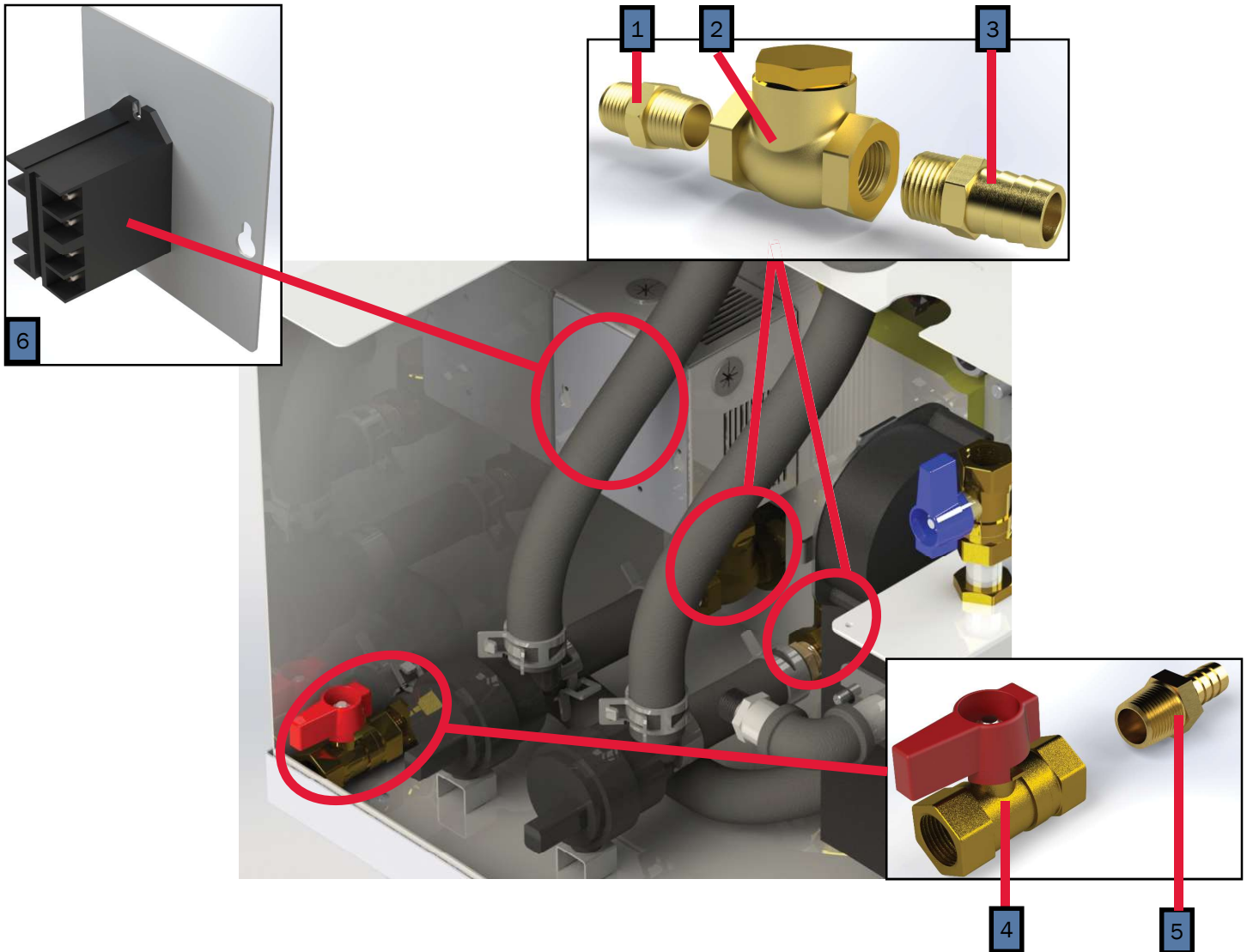
Key	Part Number	Date of Use	Description
1	HDX-000-623	Launch	Clamp, Romex, ½ in. Plastic
2	PLX-CTB-270	Launch	Clamp, Hose, Constant Tension, ¾ in.
3	PLX-000-433	Launch	Hose, Heater, ¾ in. x 18 in.
4	PLE-007-000	Launch	Valve, Air Assembly Comb, Coin/Key
4A	PLE-007-065	Launch	Valve, Air Comb, Coin/Key
5	PLX-375-050	Launch	Valve, Gas Ball
6	SME-450-030	Launch	Cover, Access, Main
7	SME-450-070	Launch	Tray, Mounting Assembly



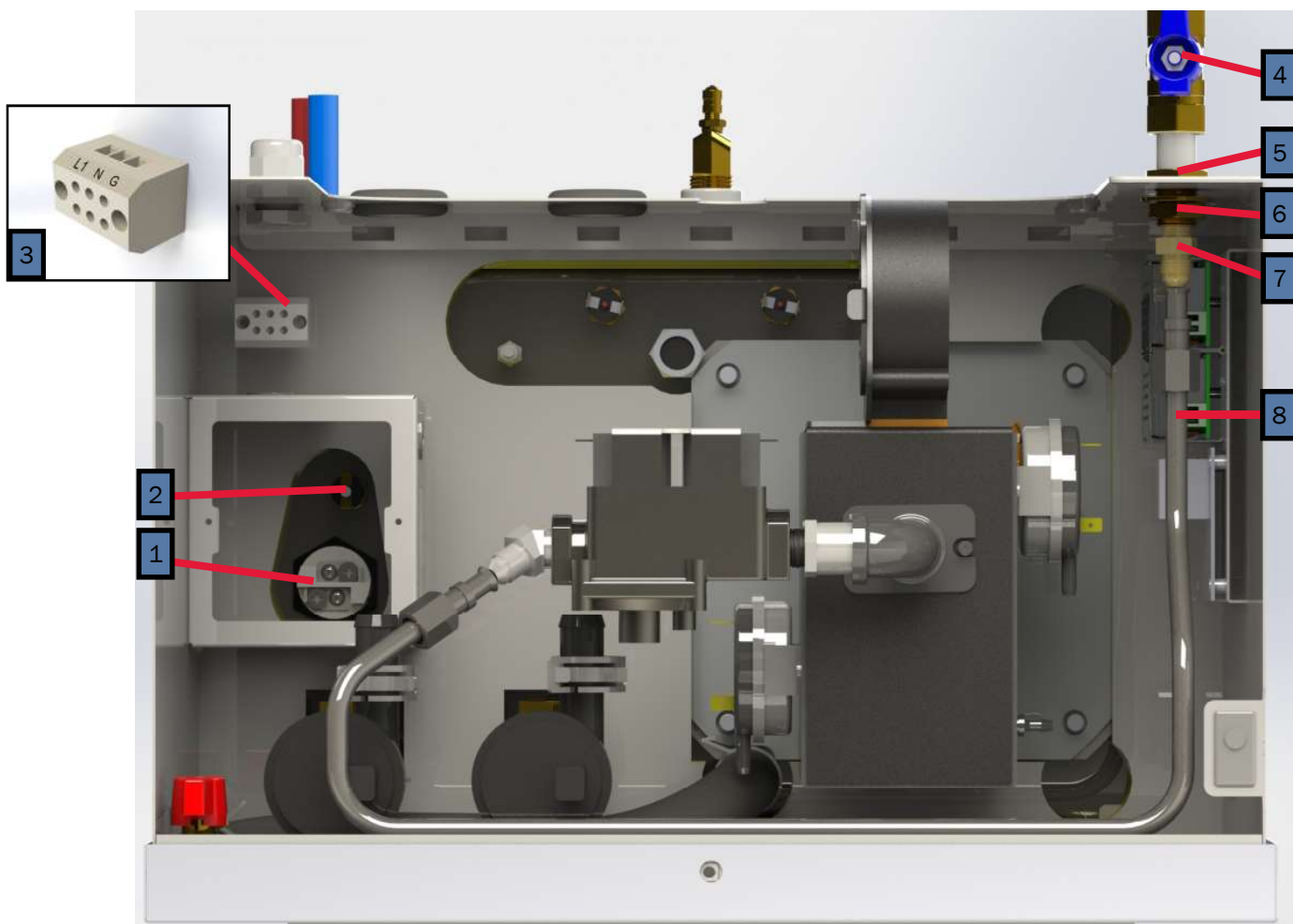
Key	Part Number	Beginning of Use	Description
1	PLX-100-900	A400-	Buehler C21 Fluid Pump
1A	PLX-100-836	A400-	Fluid Pump Mounting Bracket
2	ELE-400-900	Launch	Buehler C20 Pump Harness
3	HDX-000-623	Launch	Clamp, Romex, ½ in. Plastic
3A	PLE-100-902	Launch	Buehler Pump Assembly with Harness & Terminals
4	ELX-000-050	Launch	Switch, Interlock
5	ELE-400-100	Launch	Harness, Wiring, Main 400P (not pictured)



Key	Part Number	Date of Use	Description
1	ELE-800-006	Launch	Fluid Level Sensor
2	ELE-HLT-425	Launch	Thermostat, High-Limit 215 °F w/ Spade Connections
3	ELE-015-011	Launch to A400P-190001	Thermostat, Control ½" (M) NPT (Discontinued)
4	ELE-014-711	A400P-190001	Thermistor, Tank Temperature Sensor



Key	Part Number	Date of Use	Description
1	PLX-122-000	Launch	Brass Close Nipple Fitting, 1/2" (M) NPT w/Hex
2	PLX-2A1-300	Launch	Brass Check Valve, 1/2" (F) NPT
3	PLX-A65-200	Launch	Brass Barb Fitting, 3/4" x 1/2" (M) NPT
4	PLX-BV1-200	Launch	Ball Valve 1/2"(F) NPT
5	PLX-699-330	Launch	Brass Barb Fitting 1/2" x 1/2" (M) NPT
6	ELX-630-001	Launch	30A 277V AC Relay w/ 12V DC Coil

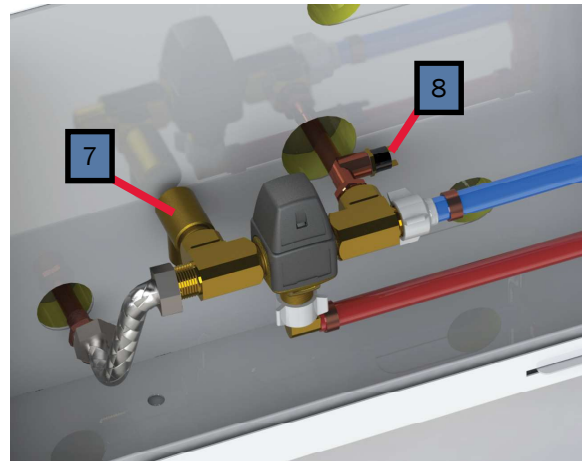
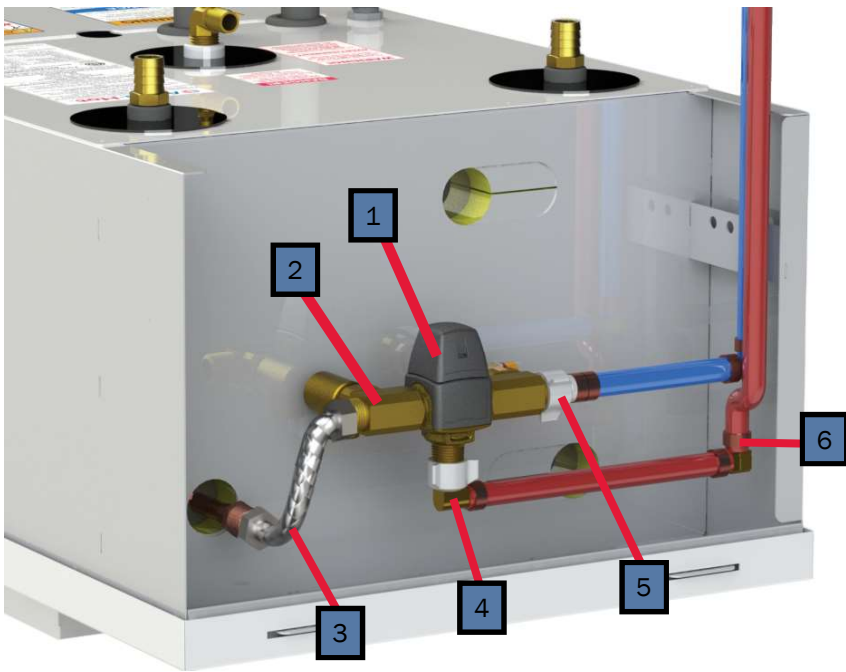


1



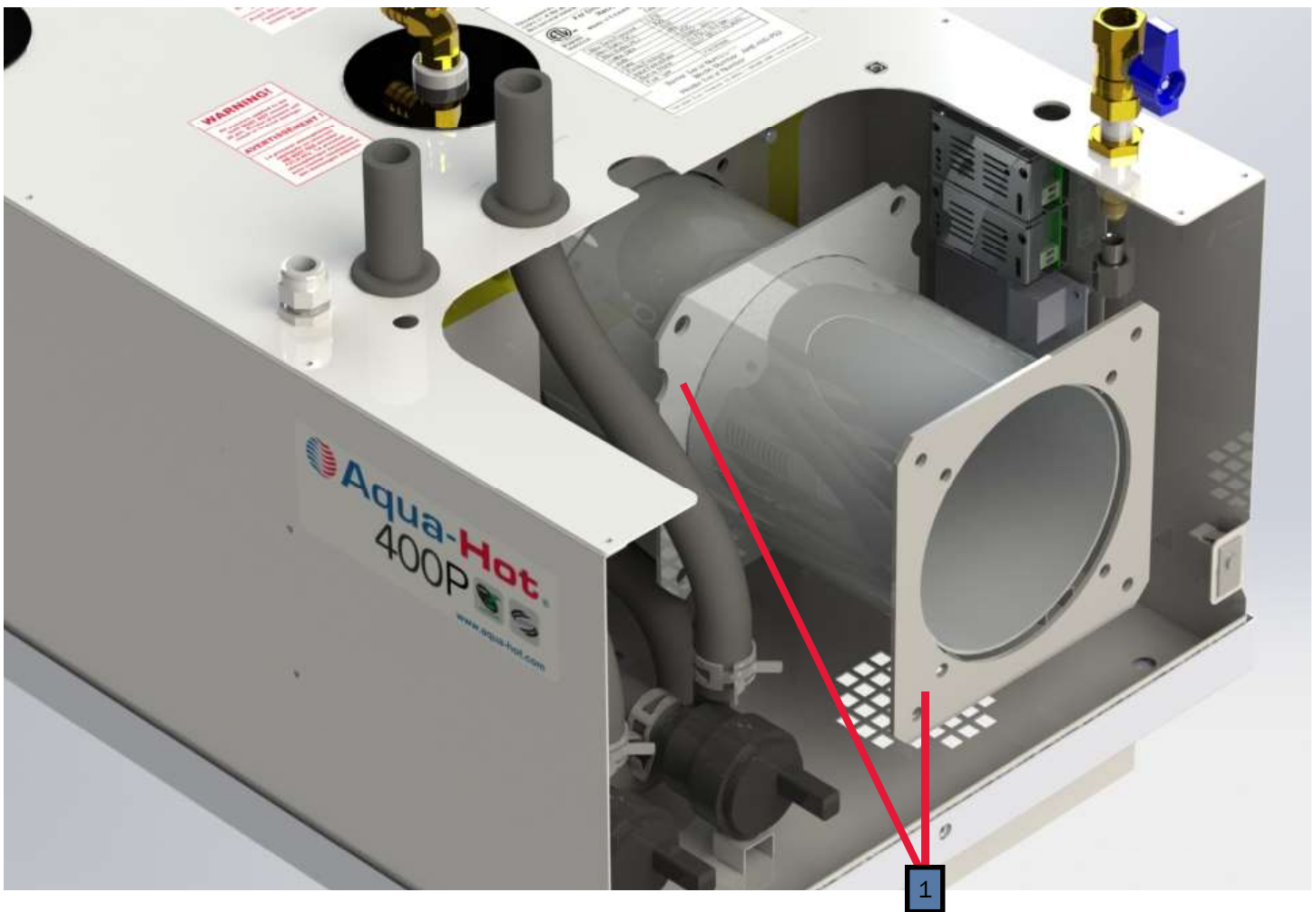
2

Key	Part Number	Date of Use	Description
1	ELX-2E7-540	Launch	Element, Electric Heating, 120VAC 1650W
2	ELE-HLT-426	Launch	Thermostat, High-Limit VAC 215 °F
3	ELE-000-905	Launch	Block, Terminal, 3-Position 22-8 AWG
4	PLX-375-050	Launch	Valve, Gas, Ball
5	PLX-375-045	Launch	Nipple, Close 3/8 in. NPT (M) Brass
6	PLX-105-800	Launch	Fitting, Bulkhead, 1/4 in x 1/4 in. (F) NPT Brass
7	FLX-375-025	Launch	Fitting, #6 (M) JIC x 3/8 in. (M) NPT Steel
8	FLE-400-001	Launch	Line, Fuel 400P



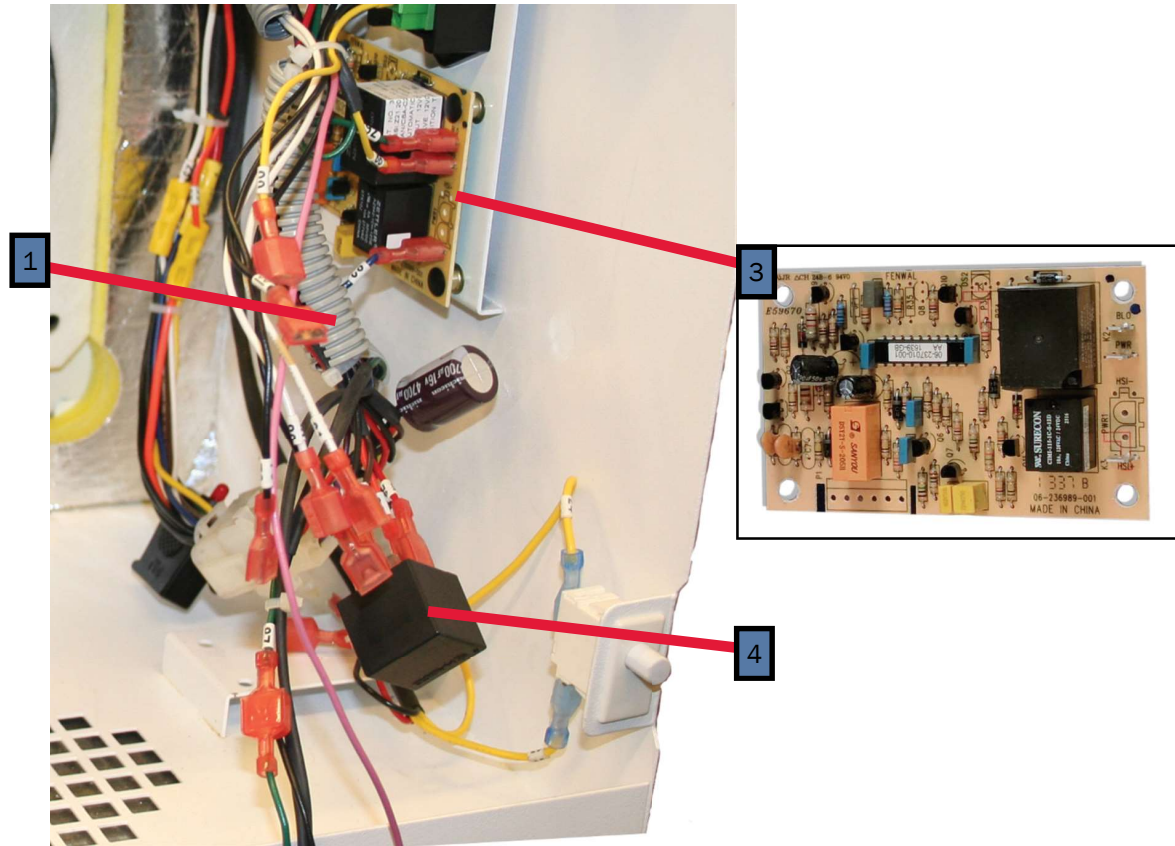
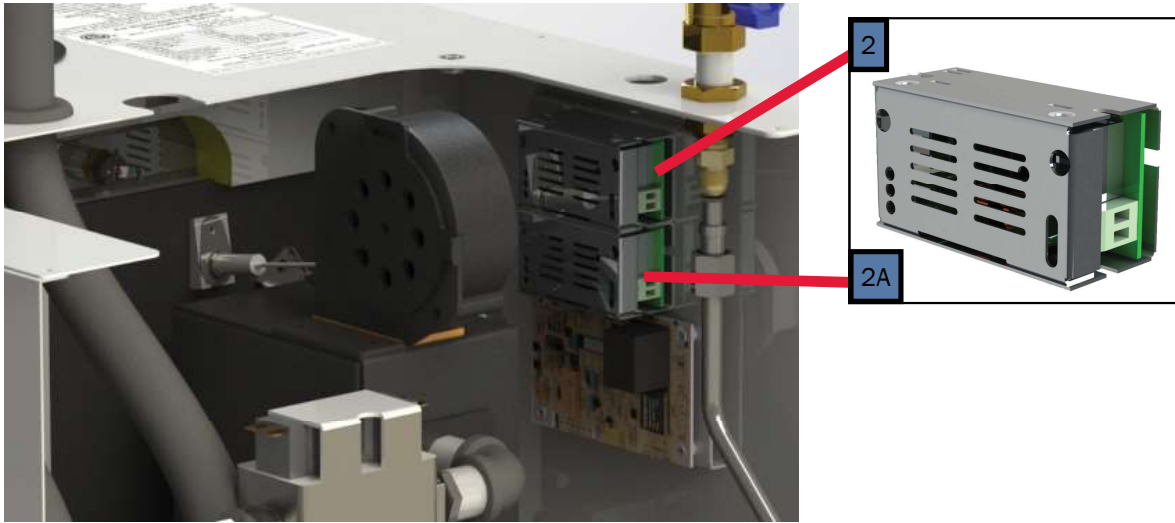
Key	Part Number	Beginning of Use	Description
1	PLX-362-100	-	Danfoss Tempering Valve
1A	PLX-09P-000	Launch	Honeywell Tempering Valve (Discontinued)
2	PLX-0X1-07D	Launch	Fitting, Tee, ½" NPT (M) (F) Brass
3	PLX-110-050	Launch	Lead Free Stainless Steel Braided Faucet Connector
4	PLX-000-755	Launch	Fitting, Elbow, Swivel ½" Barb x ½" NPT, Brass
5	PLX-000-730	Launch	Fitting, Straight Swivel ½" Barb x ½" NPT
6	PLX-000-745	Launch	Ring, Crimp, ½"
7	PLX-111-125	Launch	Pressure Relief Valve
8	ELE-LTC-608	Launch	Low-Temp Cutoff Thermostat



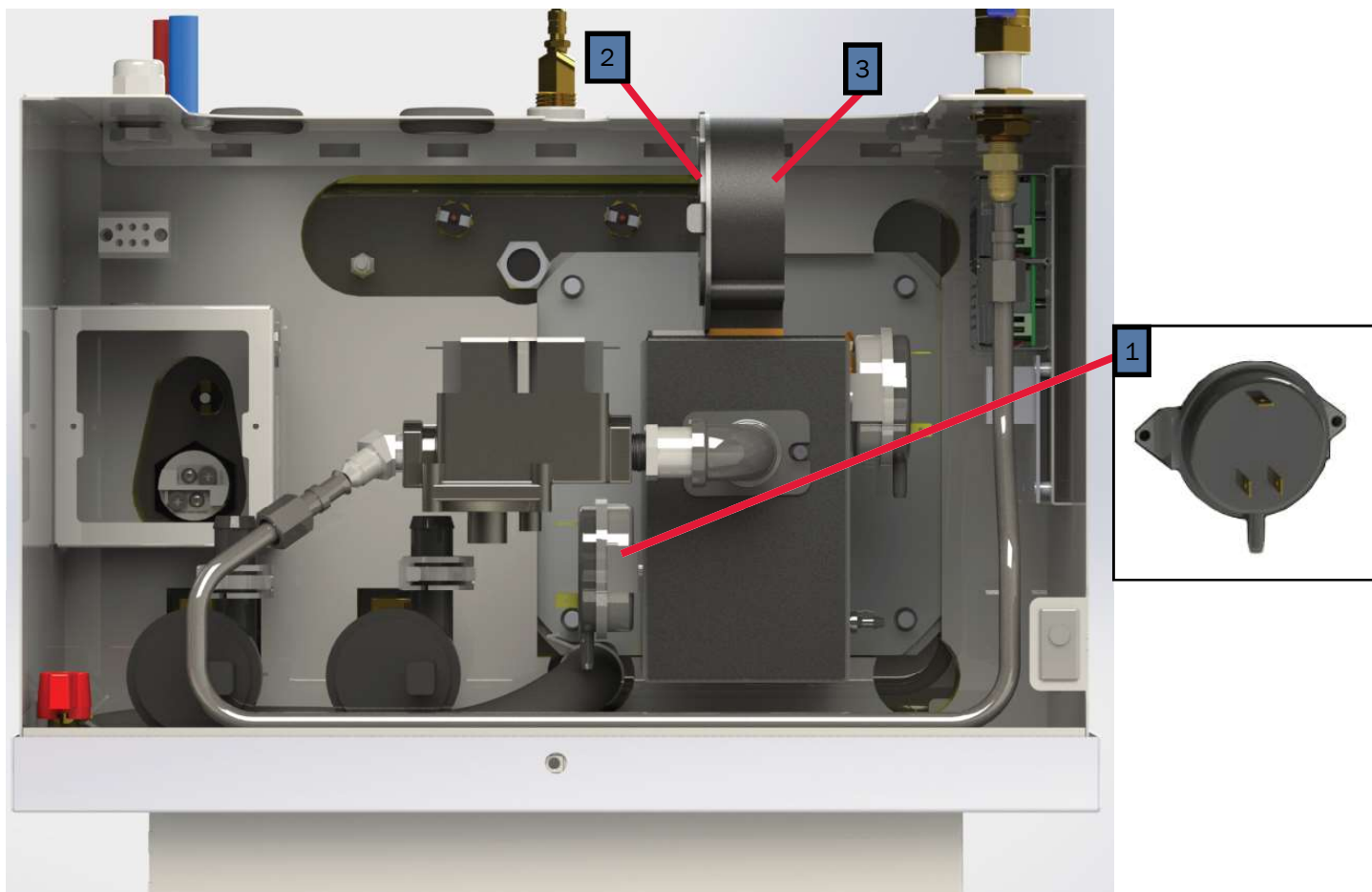


Key	Part Number	Beginning of Use	Description
1	HDE-700-205	Launch	Combustion Chamber Tube Gasket

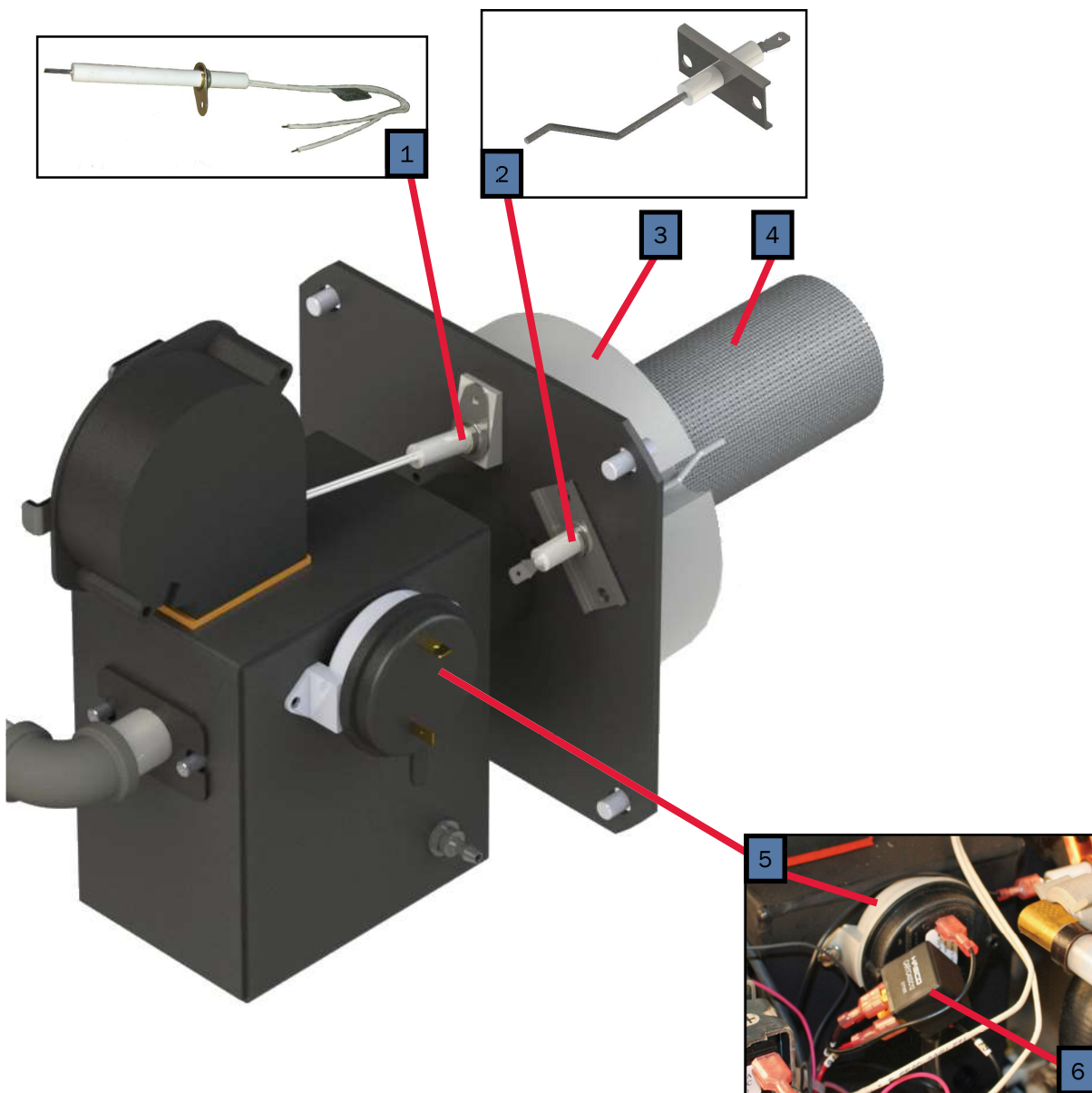
**NOTE:** The 400P model will require **TWO** Combustion Chamber Gaskets.



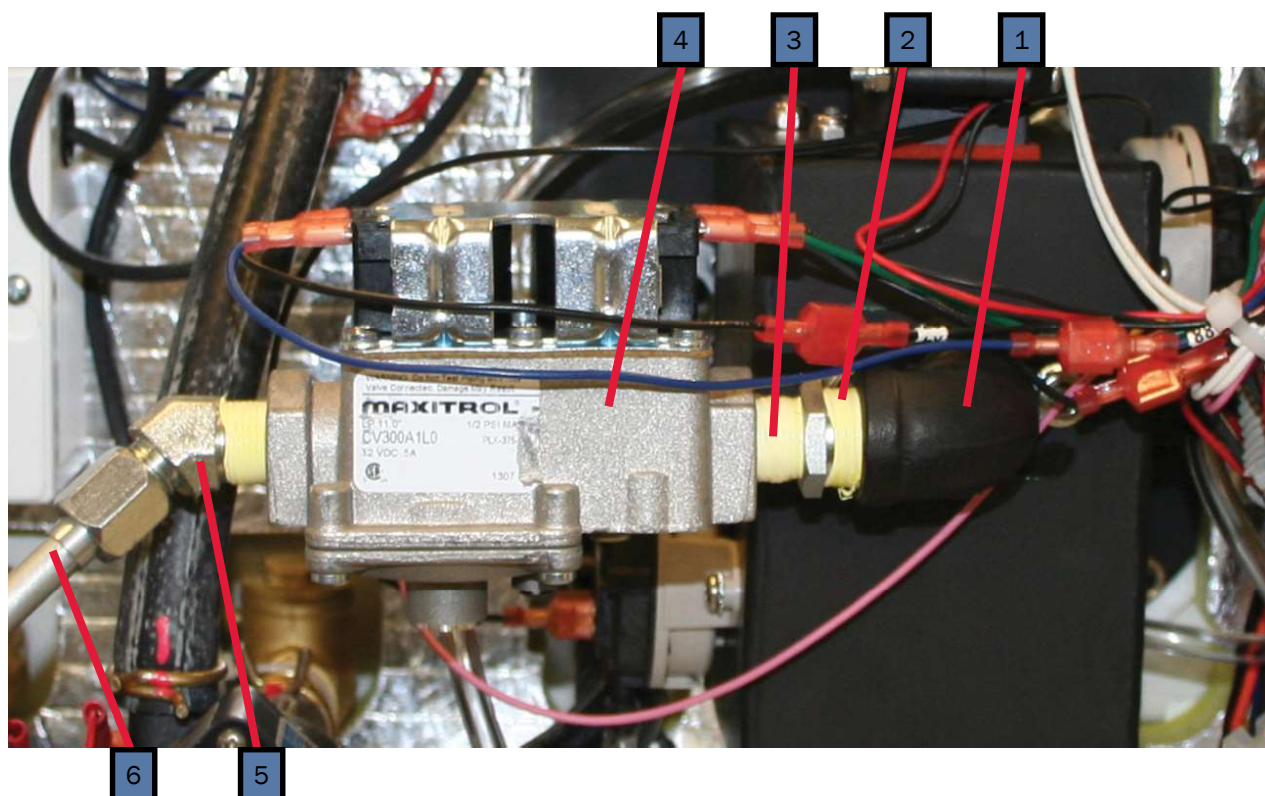
Key	Part Number	Date of Use	Description
1	ELE-375-020	Launch	Harness, Propane Burner
2	ELE-400-020		Buck Boost, Igniter (Top Placement)
2A	ELE-400-021		Buck Boost, Fan (Bottom Placement)
3	ELX-375-025	Launch	Card, Burner Controller
4	ELX-375-040	Launch	Relay, Automotive, 40A SPDT



Key	Part Number	Date of Use	Description
1	ELX-375-035	Launch	Switch, Pressure 376 WC
2	SME-375-025	Launch	Shutter, Air Intake
3	ELX-375-020-FRU	Launch	Blower, Combustion kit



Key	Part Number	Date of Use	Description
1	ELX-375-030	Launch	Igniter, Flame
2	ELX-375-015	Launch	Sensor, Flame
3	MSE-375-015	Launch	Insulation, Refractory
4	PBE-375-015	Launch	Tube, Mixing
5	ELX-375-010	Launch	Switch, Pressure 15 WC (Fan Validation)
6	ELX-375-040	Launch	Relay, Automotive 40A SPDT



Key	Part Number	Date of Use	Description
1	PLX-375-030	Launch	Elbow, ½ in. (F) NPT
2	PLX-375-035	Launch	Bushing, ½ in. (M) NPT x ⅜ in. (F) NPT
3	PLX-375-045	Launch	Nipple, Close, ⅜ in. (M) NPT, Brass
4	PLX-375-010	Launch	Valve, Dual Gas
5	FLX-375-020	Launch	Fitting #6 (M) JIC x ⅜ in. (M) NPT 45°, Steel
6	FLE-400-001	Launch	Line, Fuel 400P



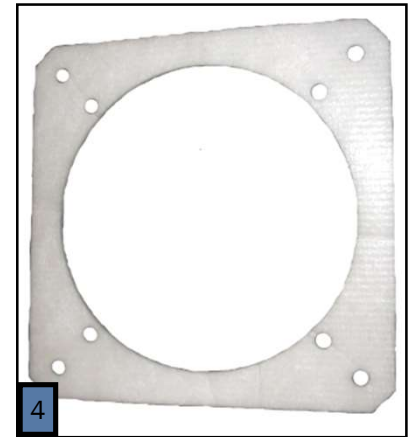
1



2



3



4



5



6

Key	Part Number	Date of Use	Description
1	MSX-300-275	Launch	1qt Boiler Antifreeze Concentrate
2	MSX-300-270	Launch	1gal. Pre-Diluted Boiler Antifreeze (Pink)
3	MSX-300-300	Launch	1 gal. Pre-Diluted Boiler Antifreeze (Green)
4	HDE-700-205	Launch	Gasket, Combustion Chamber Tube
5	MSX-907-162	Launch	Tester, Refractometer
6	SME-375-015	Launch	Tip, Exhaust End

PARTS MANUAL

# 400<sub>SERIES</sub>

 **Aqua-Hot**<sup>®</sup>  
An AIRXCEL Brand



Aqua-Hot Heating Systems, LLC  
7501 Miller Drive, Frederick, CO 80504

Visit us online at [www.aquahot.com](http://www.aquahot.com)  
Call us at 574-AIR-XCEL (574-247-9235)

©2021 Aqua-Hot Heating Systems, LLC. Printed in the USA