



Aqua-Hot[®]

HYDRONIC HEATING SYSTEM

525-D



AHE-525-D02 PARTS MANUAL

Table of Contents

Section 1: Heater Overview

General Page 5-6
Top Page 7-8
Front..... Page 9-10
Check Valves Page 11
Mixer Valve Assembly Page 12
Fuel Fittings..... Page 13
Diesel Burner & Combustion Chamber Page 14

Section 2: Diesel-Burner

Overview Page 15-16

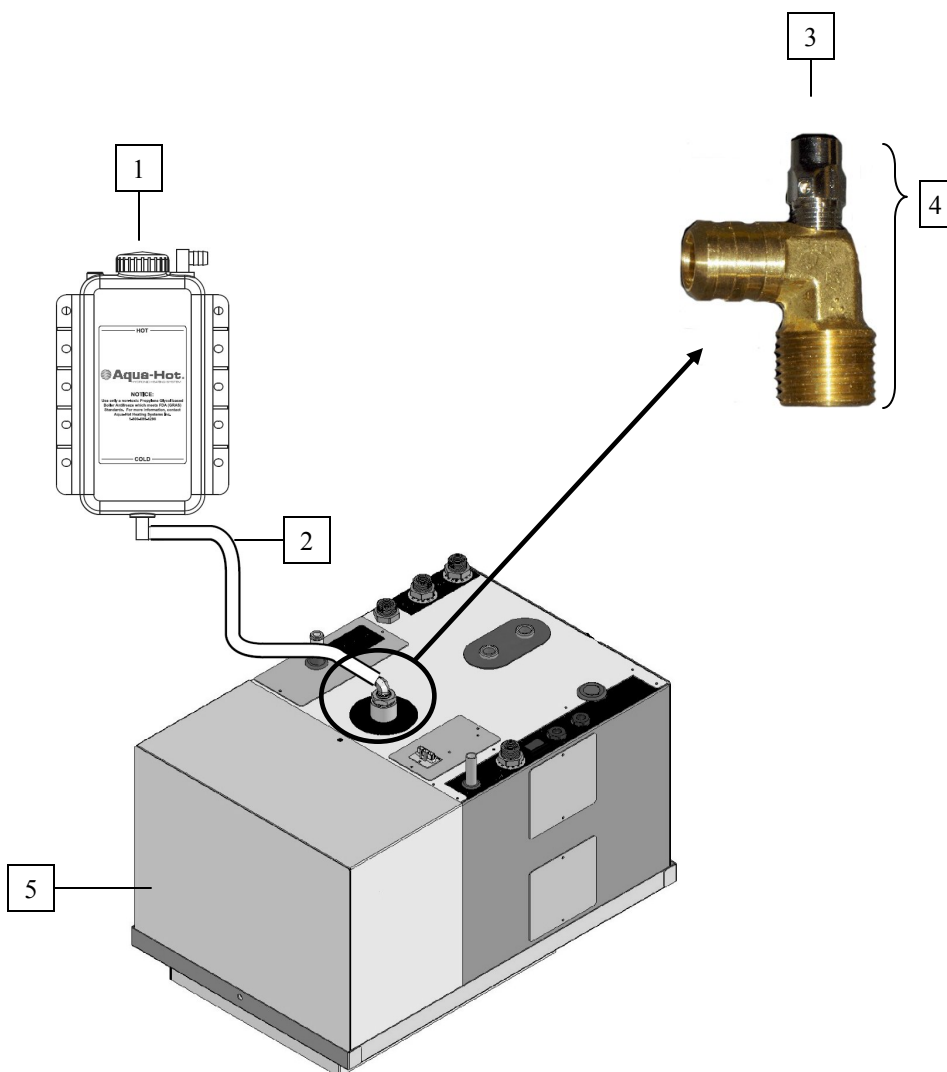
Section 3: Misc. Parts

Misc. Parts Page 17

Section 4: Tools

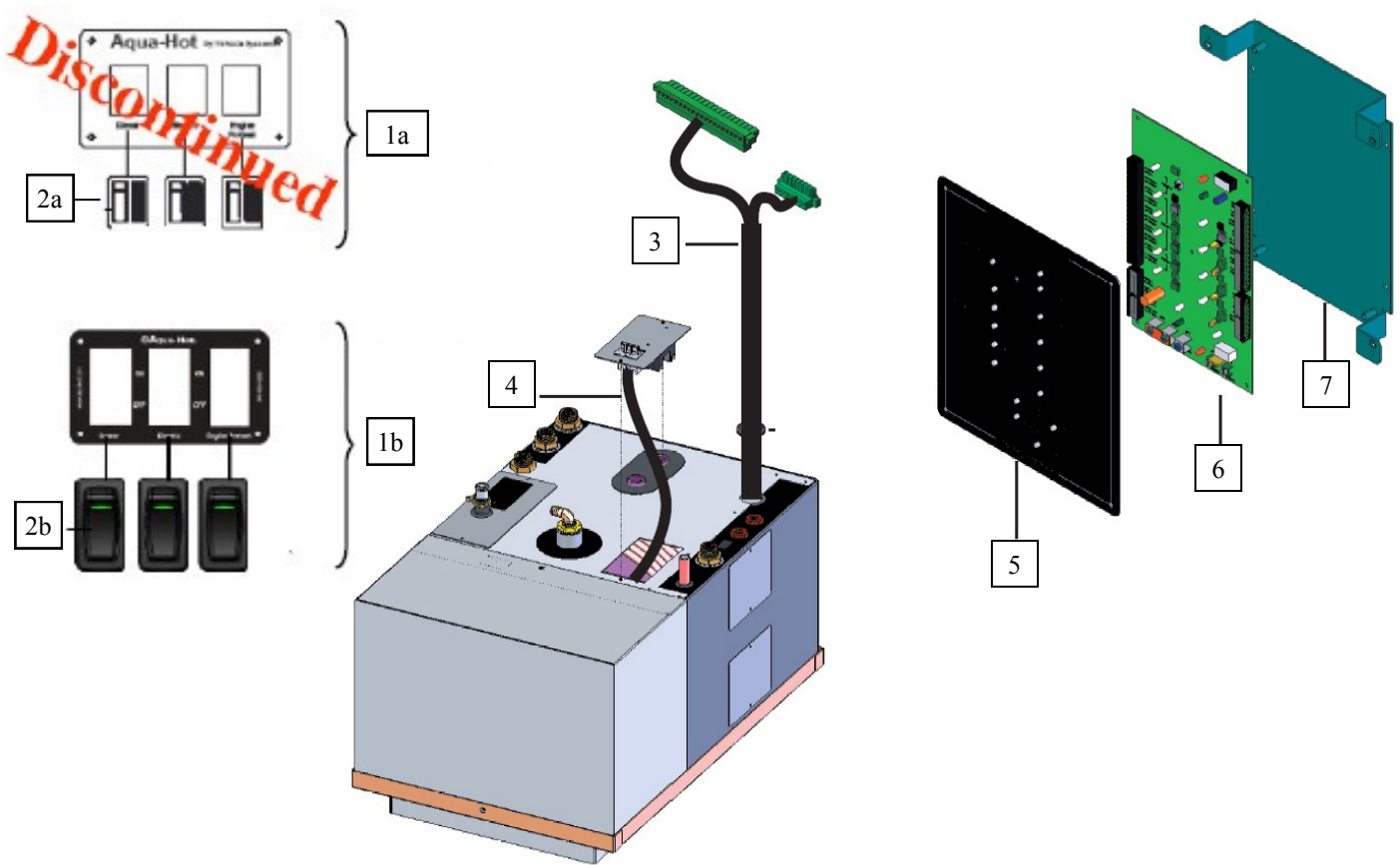
Tools Page 20

SECTION 1: HEATER OVERVIEW - GENERAL



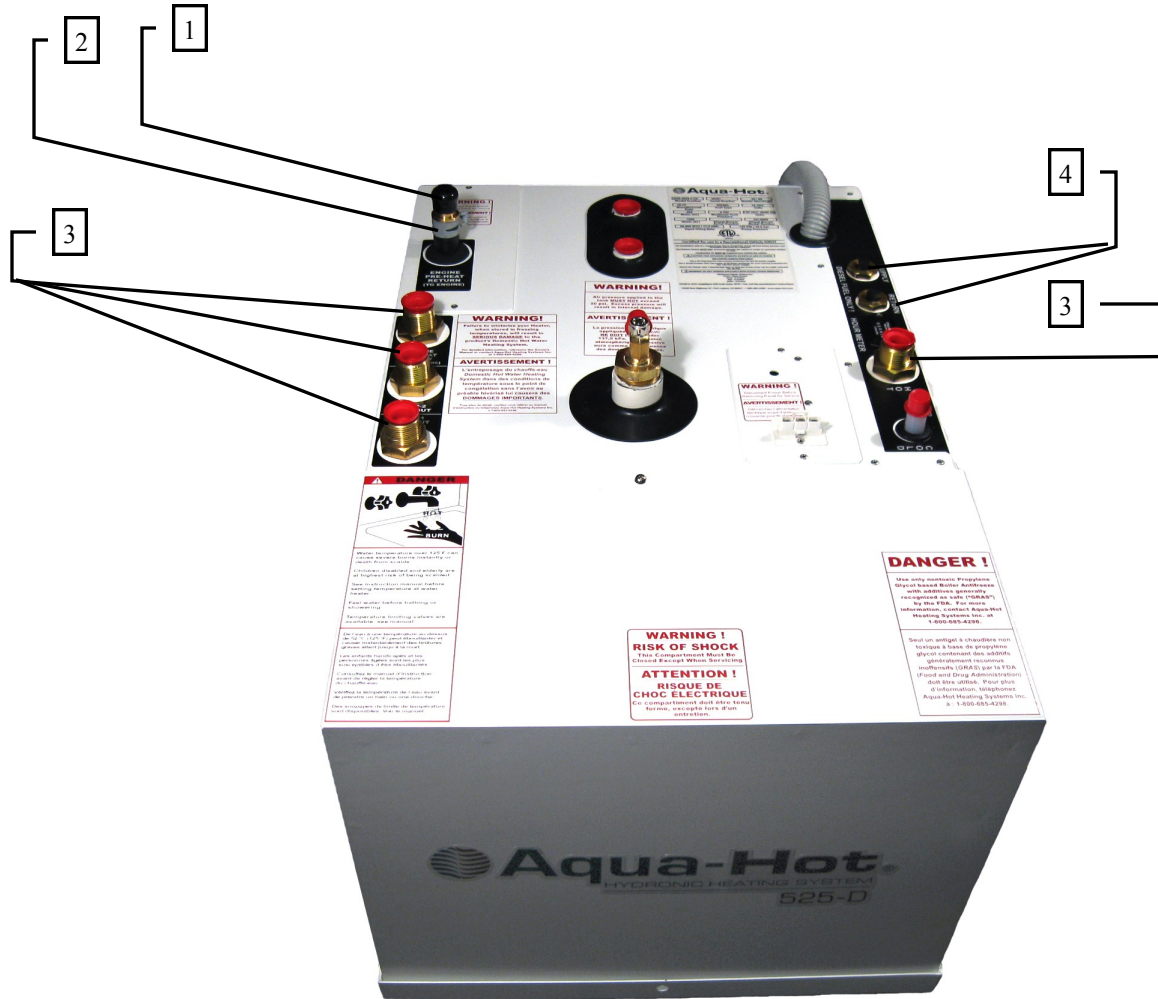
Key	Part Number	Description
1	PLE-622-902	Tank, Expansion, 5qt 525 w/Label
2	PLE-210-192	Tube, Over Flow Clear 5/8 in x 8 ft
3	PLX-007-065	Valve, Air Comb, Coin/Key
4	PLE-007-000	Valve, Air Assembly Comb, Coin/Key
5	SME-700-180	Cover, Access

SECTION 1: HEATER OVERVIEW - GENERAL



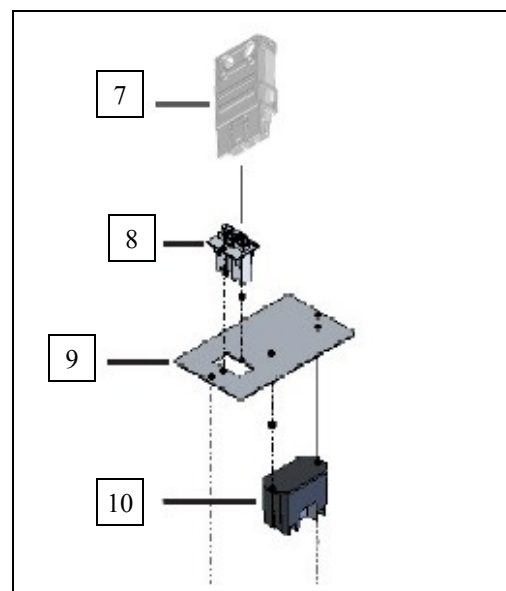
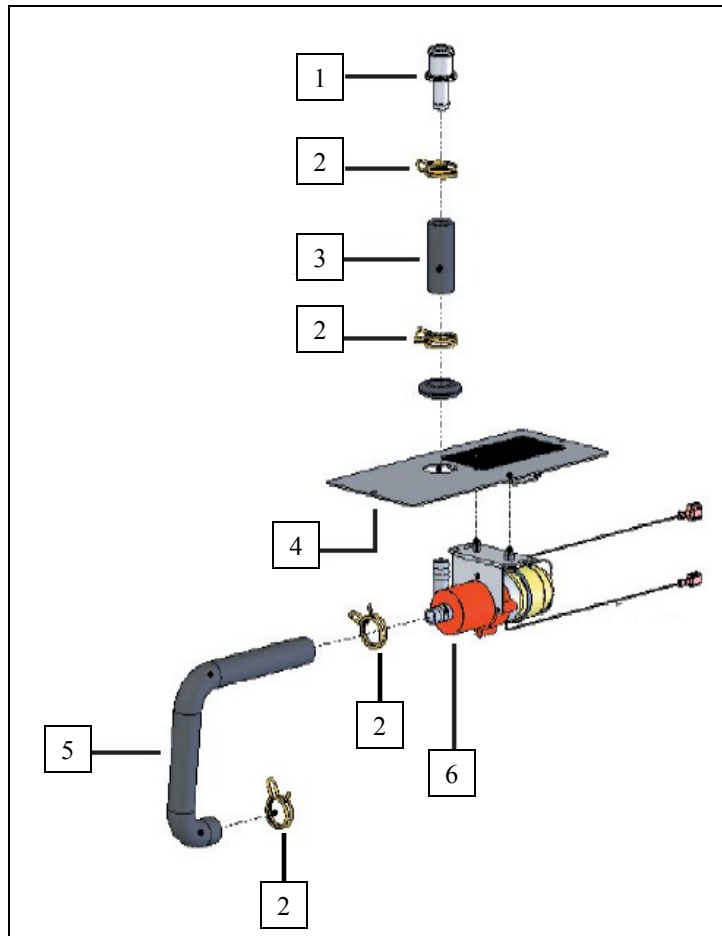
Key	Part Number	Description
1a	ELE-000-507	Panel, Switch, Assembly, 12 VDC (Discontinued)
1b	ELE-000-509	Panel, Switch, Assembly, 12 VDC
2a	ELX-283-284	Switch, Rocker, w/LED (Discontinued)
2b	ELX-283-283	Switch, Rocker, w/LED
1	ELE-700-102	Harness, Control 12 ft.
2	ELE-900-000	Harness, A.C. Assembly
3	SME-200-501	Faceplate, Electronic Controller, Assembly
4	ELE-PC4-010-AA	Controller, Electronic, 12 VDC
5	SME-EN4-008	Back, Electronic Controller, Enclosure

SECTION 1: HEATER OVERVIEW - TOP



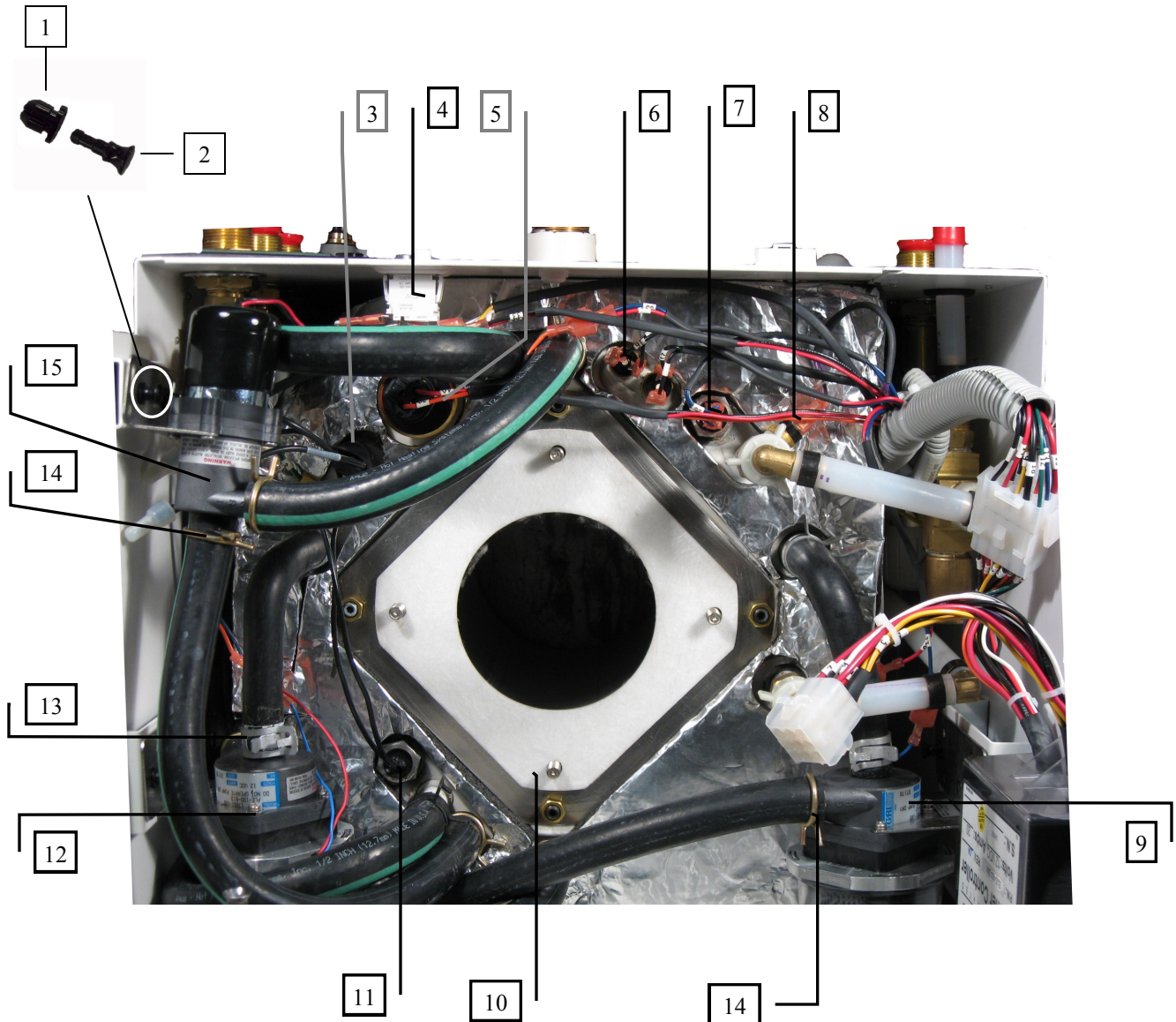
Key	Part Number	Description
1	PLE-200-009	Fitting, Adapter, .75 Hose to .5 Hose
2	PLX-CTB-250	Clamp, Hose, Constant Tension, 23/32
3	PLE-105-810	Fitting, Bulkhead Mod 1/2 x 1/2 (F)
4	PLX-105-800	Fitting, Bulkhead, 1/4 x 1/4 in (F) NPT Brass

SECTION 1: HEATER OVERVIEW - TOP



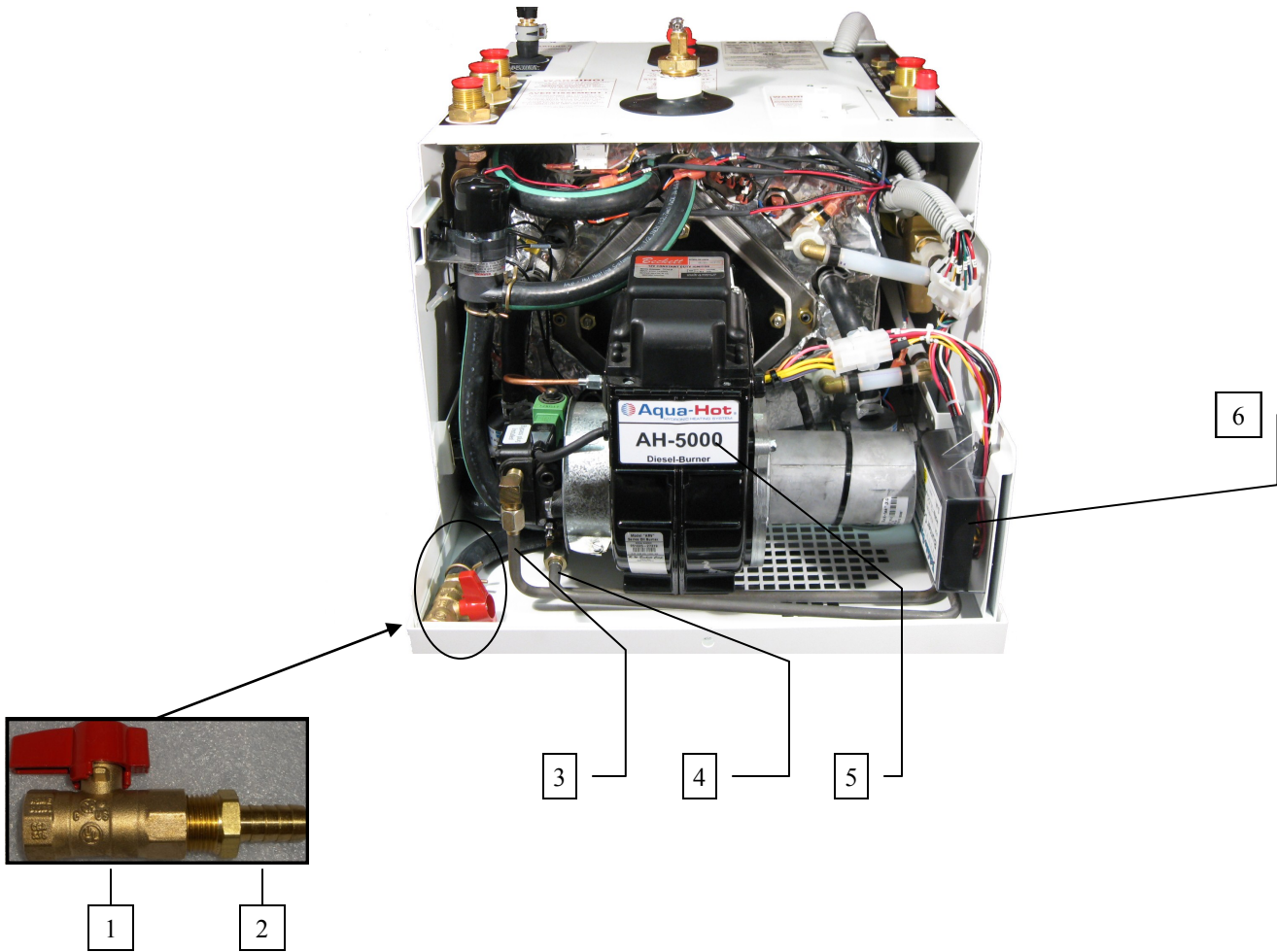
Key	Part Number	Description
1	PLE-200-009	Fitting, Adapter, .75 Hose to .5 Hose
2	PLX-000-140	Clamp, Hose, Constant Tension, Single Wire, 7/8
3	PLE-285-000	Hose, Heater 1/2 in x 2-3/8 in Rubber, Black
4	SME-800-300	Cover, Engine Preheat Assembly
5	PLE-285-204	Hose, Heater 1/2in x 22 1/2in Rubber Black
6	PLE-100-870	Pump, Engine Preheat Assembly
7	ELX-430-820	Plug, A.C. Power Connector
8	ELX-430-840	Receptacle, A.C. Power
9	SME-700-300	Cover, A.C.
10	ELX-630-001	Relay, Electromechanical, 30 amp

SECTION 1: HEATER OVERVIEW - FRONT



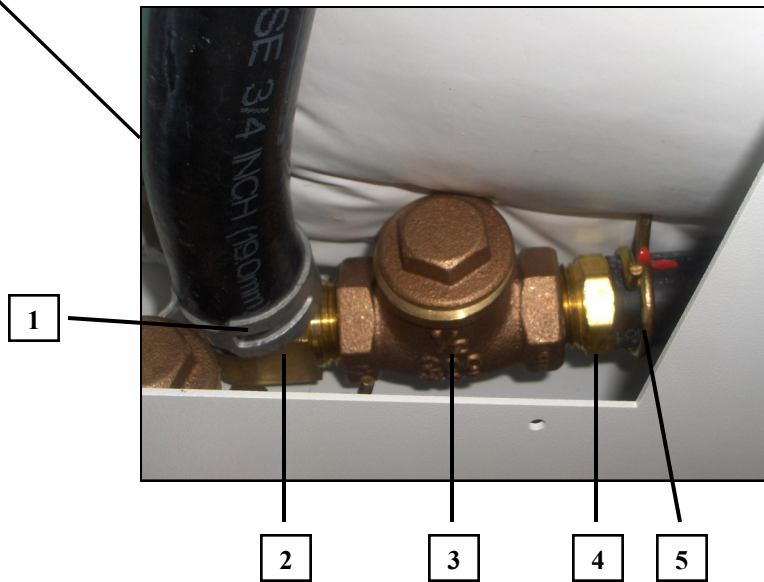
Key	Part Number	Description
1	HDX-100-100	Grommet, Nylatch
2	HDX-100-200	Plunger, Nylatch,
3	ELE-HLT-424-FRU	Thermostat, High Limit, VAC 215 °F
4	ELX-000-050	Switch, Interlock
5	ELX-800-003	Switch, Fluid Level Capacitance, Ungrounded
6	ELE-HLT-425	Thermostat, High Limit, 215 °F w/Spade Connectors
7	ELE-014-005	Thermostat, Control 185 °F 1/2in (M)NPT
8	ELE-LTC-608	Thermostat, Low Temp Cut-Off w/Spade Connectors
9	PLE-100-843	Pump, Zone Assembly w/Cap O-Ring, Right Hand
10	HDE-700-200	Gasket, Burner
11	ELE-207-500	Element, Elec Htg Cartridge, Immersion, 120V 1500W
12	PLE-290-360	Pump, Zone Assembly w/Cap O-Ring, Left Hand
13	PLX-CTB-250	Clamp, Hose, Constant Tension, 23/32
14	PLX-000-140	Clamp, Hose, Constant Tension, Single Wire, 7/8
15	PLE-100-860	Pump, Stir Assembly w/Bracket

SECTION 1: HEATER OVERVIEW - FRONT



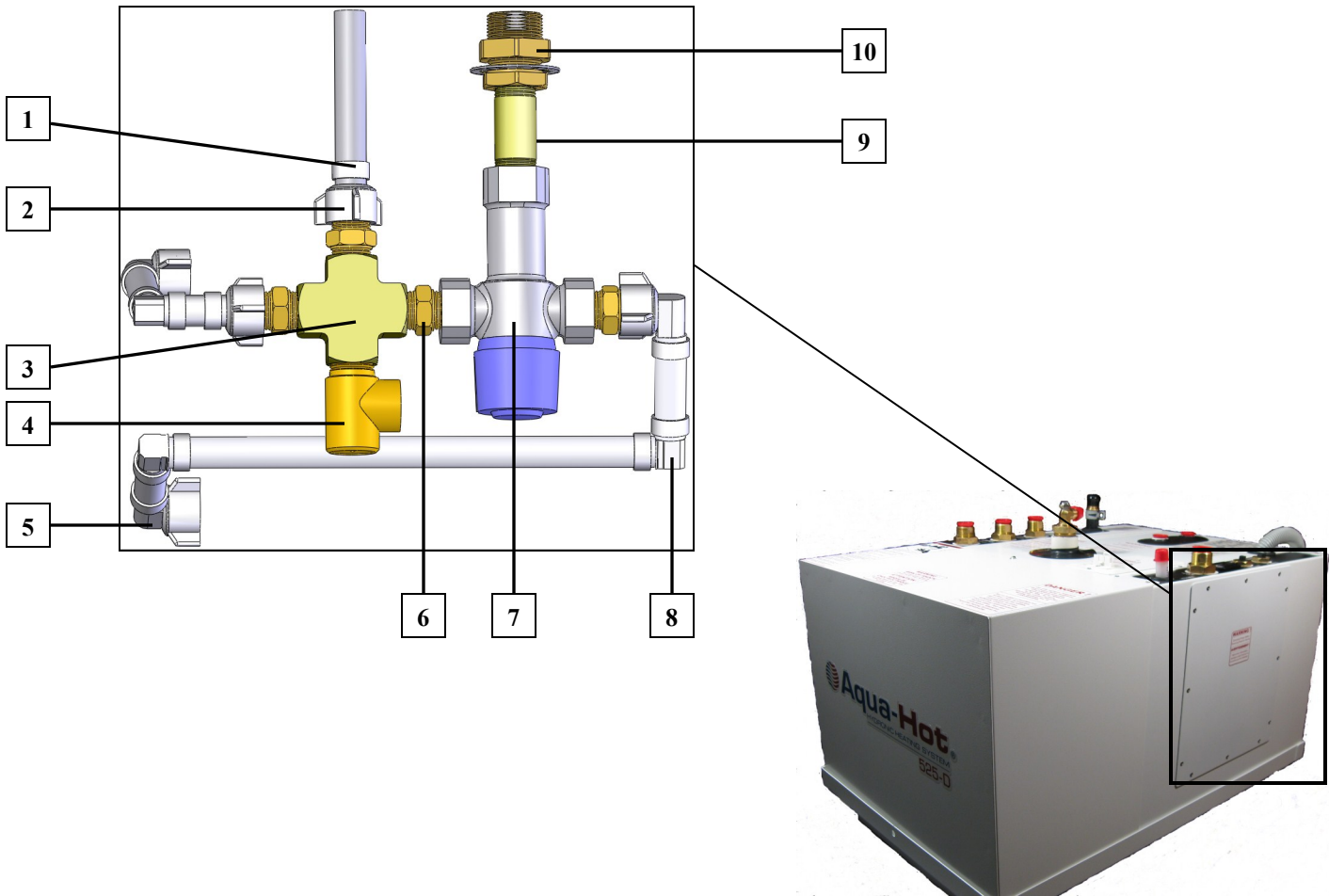
Key	Part Number	Description
1	PLX-BV1-200	Valve, Ball 1/2 in (F) NPT Brass
2	PLX-699-330	Fitting, Brass Barb 1/2 X 1/2 (M) NPT
3	FLE-421-857	Fuel, Line, Supply, Assembly 3/8 in. Steel
4	FLE-421-856	Fuel, Line, Return Assembly 3/8 in Steel
5	BPE-400-002	Burner, AH-5000 Diesel-Burner
6	ELE-400-202	Diesel-Burner Controller, Modified

SECTION 1: HEATER OVERVIEW - CHECK VALVES



Key	Part Number	Description
1	PLX-CTB-290	Clamp, Hose Constant Tension 1 1/16 in diameter
2	PLX-A65-300	Fitting, Brass, Elbow, 90°, Barb 3/4 x 1/2 (M) NP
3	PLX-2A1-300	Valve, Brass Check, 1/2 X 1/2 (F)NPT
4	PLX-699-330	Fitting, Brass, Barb 1/2 X 1/2 (M)NPT
5	PLX-000-140	Clamp, Hose Single Wire 7/8 in Steel

SECTION 1: HEATER OVERVIEW - MIXER VALVE ASSEMBLY



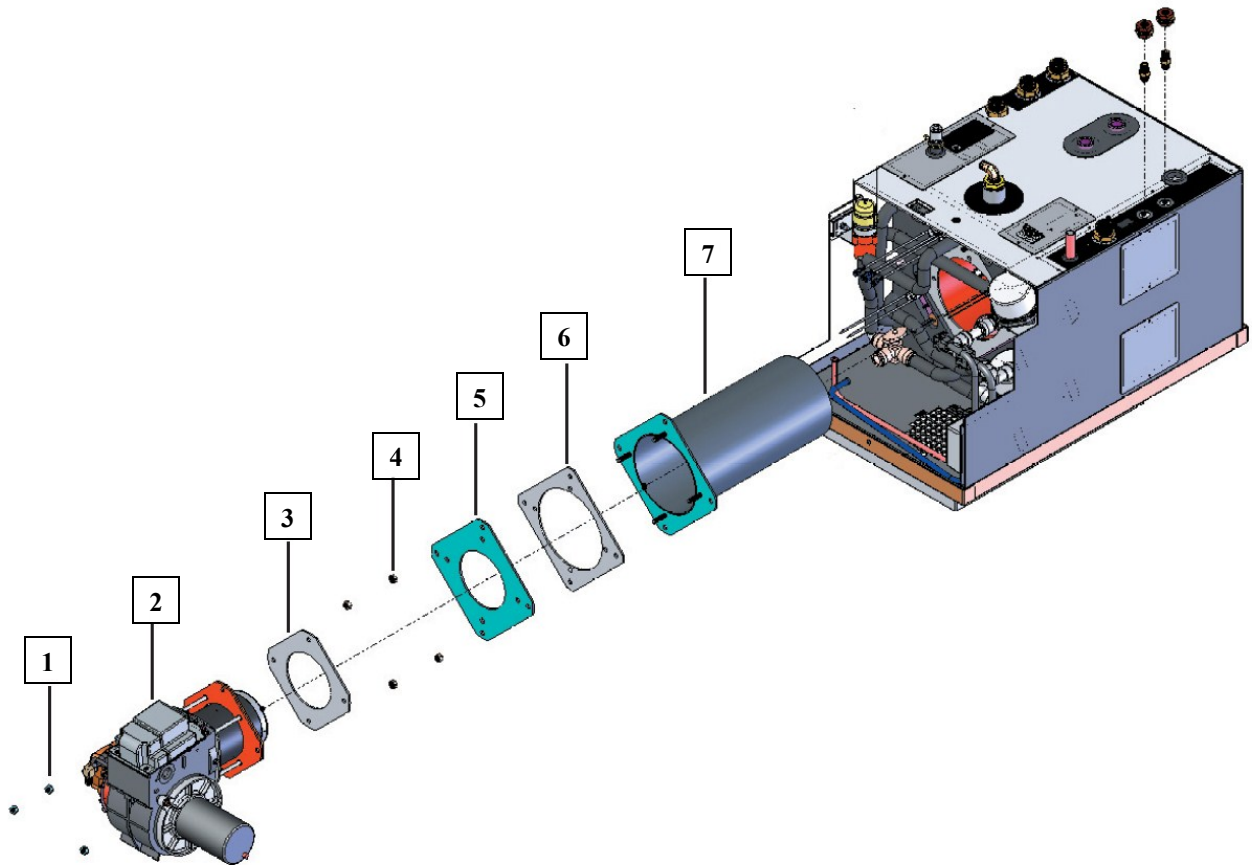
Key	Part Number	Description
1	PLX-000-745	Ring, Crimp 1/2 in
2	PLX-000-730	Fitting, Straight, Swivel 1/2 in Barb x 1/2 in FPT
3	PLX-000-725	Fitting, Cross 1/2 in Brass
4	PLX-111-125	Valve, Pressure Relief 125 PSI
5	PLX-000-755	Fitting, Elbow, Swivel 1/2 in Barb x 1/2 in FPT
6	PLX-122-000	Fitting, Brass, Close Nipple 1/2 (M)NPT w/Hex
7	PLX-09P-100	Valve, Tempering 145°F
8	PLX-000-750	Fitting, Elbow, 1/2 in Barb
9	PLX-113-250	Fitting, Nipple 1/2 in NPT x 2-1/2 in Brass
10	PLE-105-810	Fitting, Bulkhead Mod 1/2 x 1/2 (F)

SECTION 1: HEATER OVERVIEW - FUEL FITTINGS



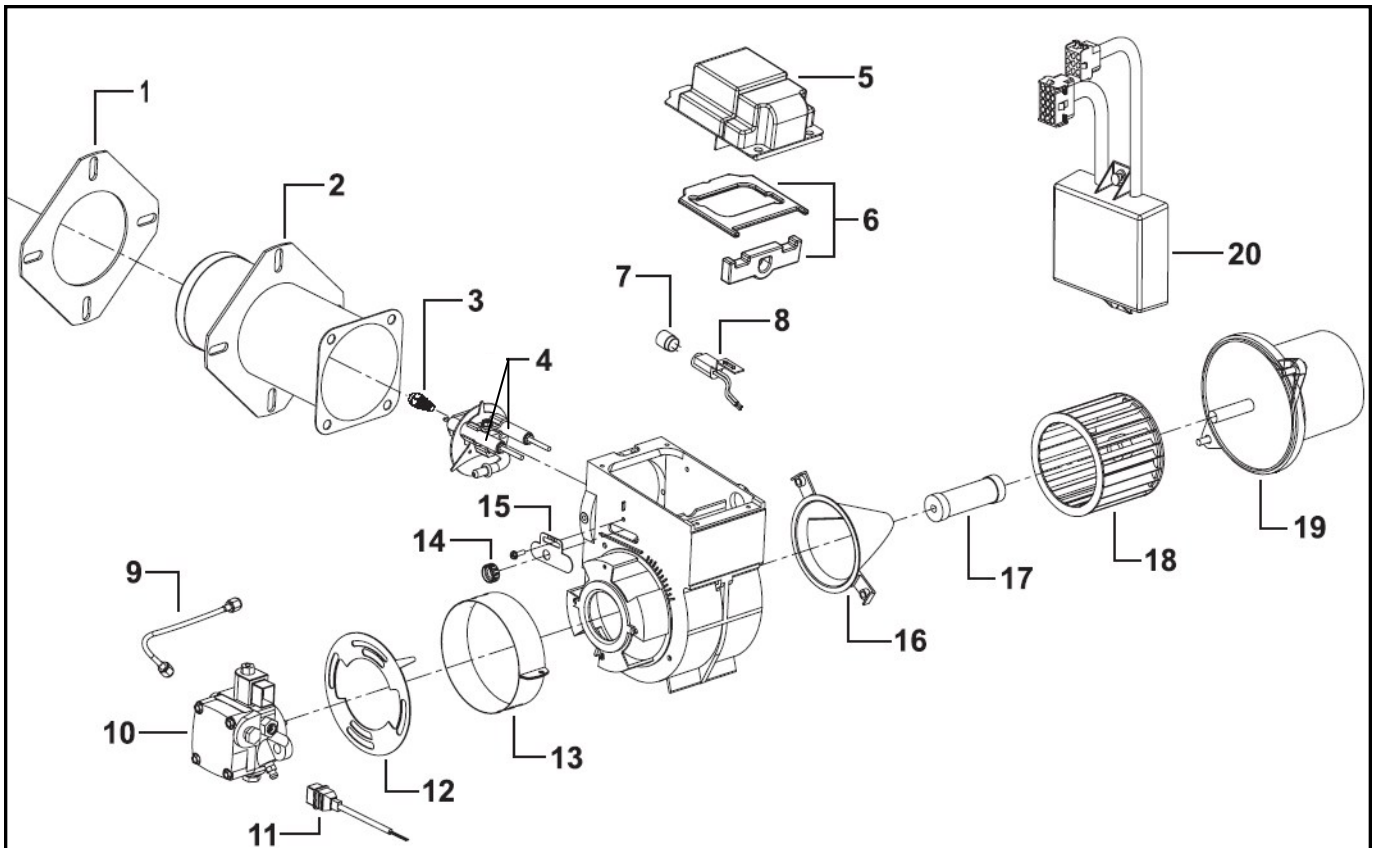
Key	Part Number	Description
1	PLX-105-800	Fitting, Bulkhead, 1/4 x 1/4 in (F) NPT Brass
2	FLX-038-204	Fitting, Steel, #6 (M)JIC x 1/4 (M)NPT
3	FLE-421-857	Fuel, Line, Supply, Assembly 3/8 in. Steel
4	FLE-421-856	Fuel, Line, Return Assembly 3/8 in Steel

SECTION 1: HEATER OVERVIEW - DIESEL BURNER & COMBUSTION CHAMBER



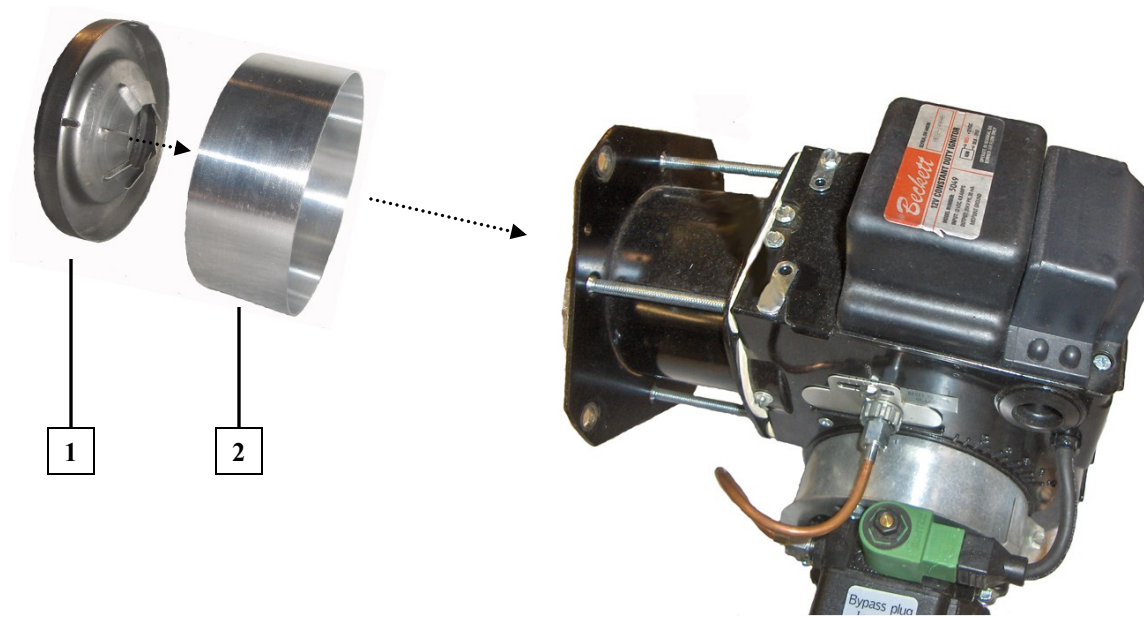
Key	Part Number	Description
1	HDX-080-231	5/16-18 Heavy Duty Nuts
2	BPE-400-002	Burner, AH-5000 Diesel-Burner
3	HDE-700-200	Gasket, Diesel Burner
4	HDX-080-230	5/16-24 Brass Nuts
5	SME-700-280	Spacer, Flame Tube 6 in
6	HDE-700-205	Gasket, Combustion Chamber Tube
7	SME-700-285	Chamber, Combustion 6 in x 13-5/8 in Tube

SECTION 2: DIESEL BURNER



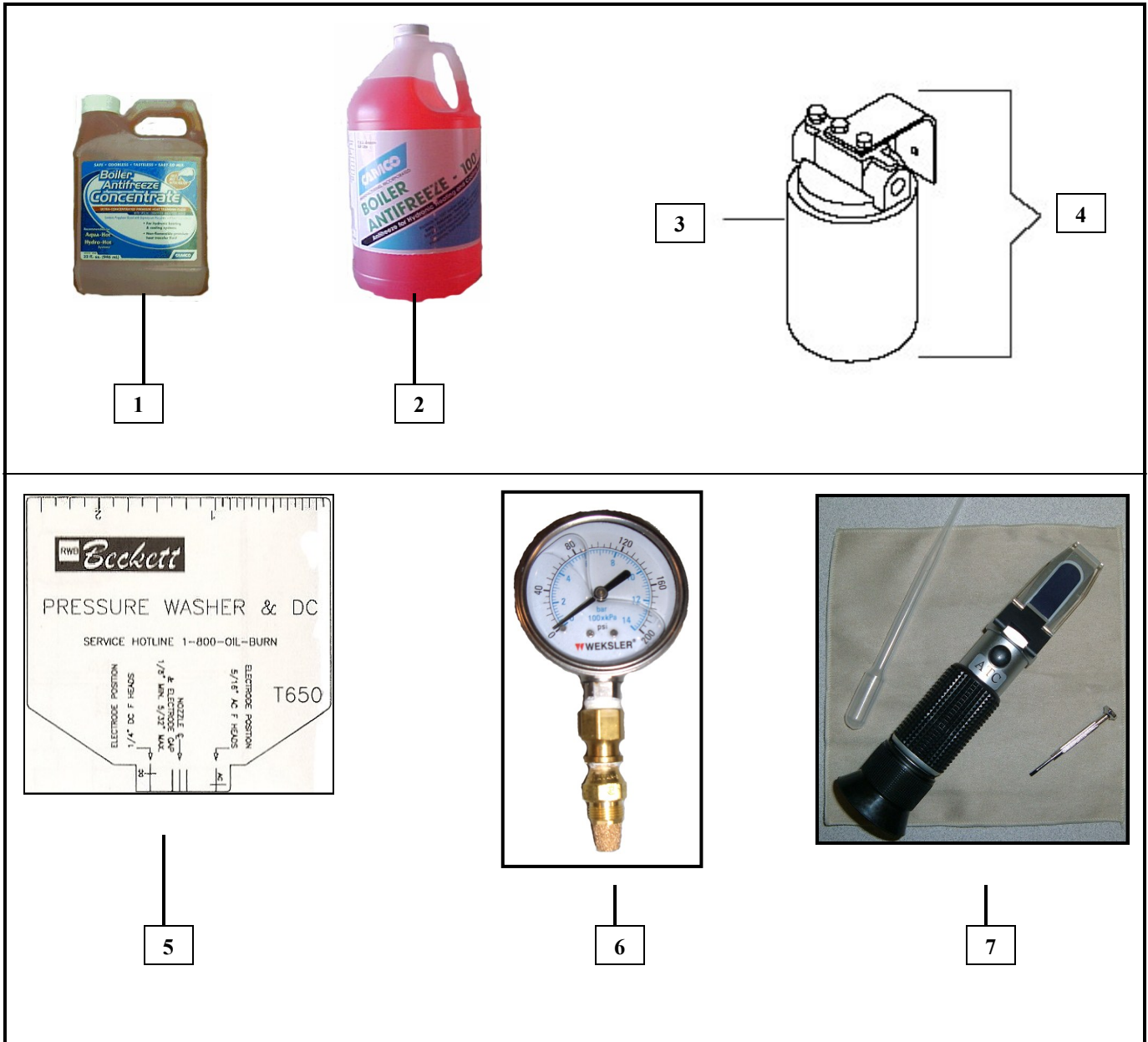
Key	Part Number	Description
1	HDE-700-200	Gasket, Flame Tube Outer
2	BPE-700-210	Air-Tube Assembly
3	WPX-886-41A	Nozzle, Fuel
4	ELX-375-005	Electrode
5	BPE-700-211	Ignition Module Assembly
6	BPE-700-213	Ignition Module Gasket Kit
7	BPE-700-214	Flame Sensor Cad Cell Assembly
8	BPE-700-215	Flame Sensor Socket
9	BPE-700-216	Fuel-Supply Tube Assembly
10	BPE-700-217-FRU	Fuel Pump Assembly and Mounting Gasket Kit
11	BPE-700-218	Cord-Set
12	BPE-700-219	Air Shutter
13	BPE-700-220	Air Band
14	BPE-700-221	Nut, Plate
15	BPE-700-222	Plate
16	BPE-700-223	Air Guide
17	BPE-700-224	Coupling
18	BPE-700-225	Blower Wheel
19	BPE-700-226-FRU	Blower Motor and Mounting Gasket Kit
20	ELE-400-202	Diesel-Burner Controller, Modified

SECTION 2: DIESEL BURNER



Key	Part Number	Description
1	BPE-700-240	Diffuser, Modified
2	BPE-700-235	Ring, Inlet .040 Wall Aluminum

SECTION 3: MISC. PARTS



Key	Part Number	Description
1	MSX-300-275	Antifreeze, Boiler, P.G., 1 qt, Concentrate, (Camco)
2	MSX-300-270	Antifreeze, Boiler, P.G., 1 Gallon (Camco)
3	FLE-120-100	Filter, Canister, Replacement, Garber
4	FLX-120-000	Filter, Fuel, Garber
5	ELX-375-006	Gauge, Beckett, Ignition Electrode
6	WPE-600-190	Gauge, Fuel Pressure
7	MSX-907-162	Tester, Refractometer, Battery/Coolant



AHE-525-D02

Parts Manual



15549 East Highway 52 | Fort Lupton, CO 80621
Toll free: 800.685.4298 | phone: 303.659.8221 | fax: 303.857.7881
www.aquahot.com