

PARTS MANUAL

600

SERIES

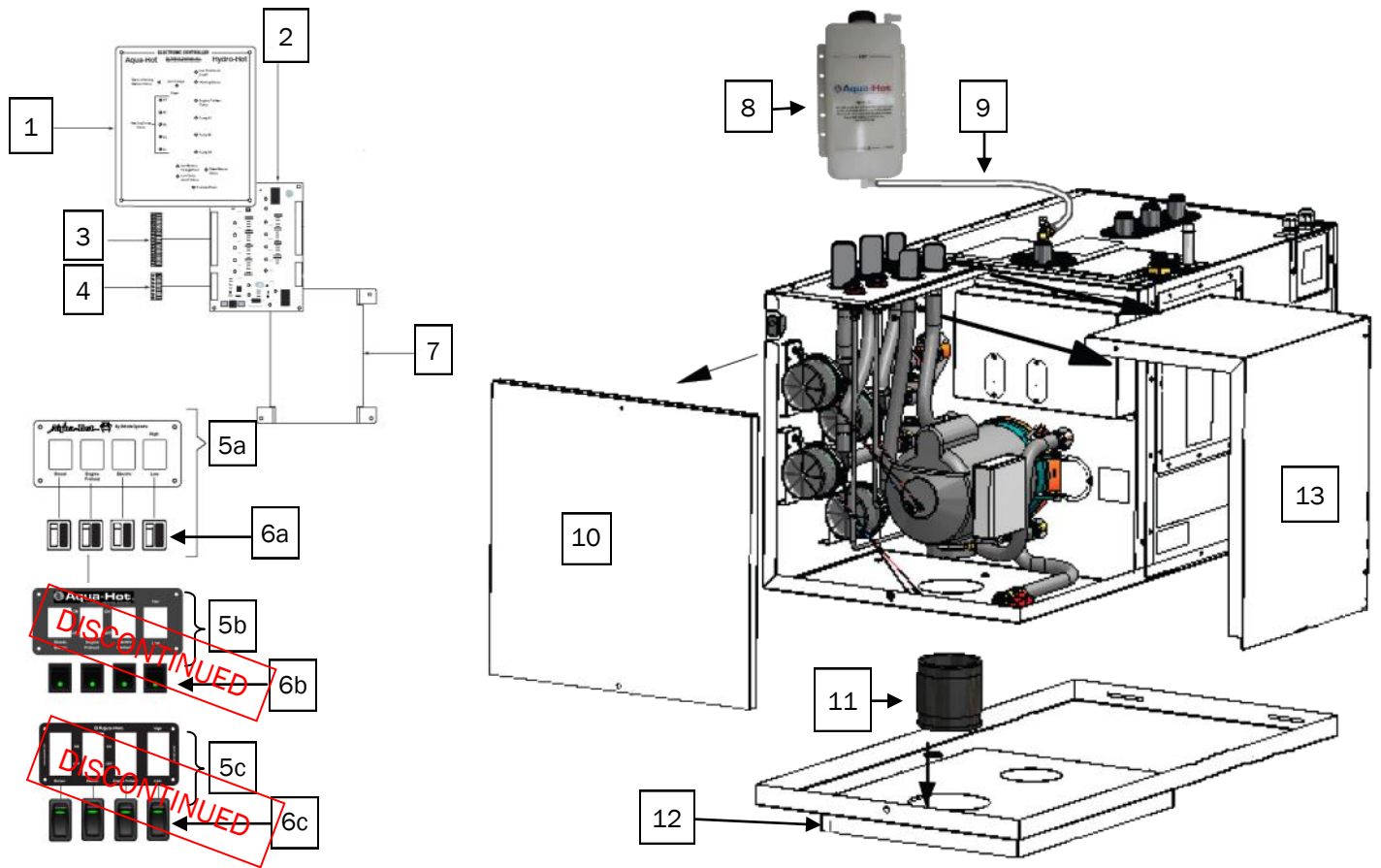


AHE-600-D03

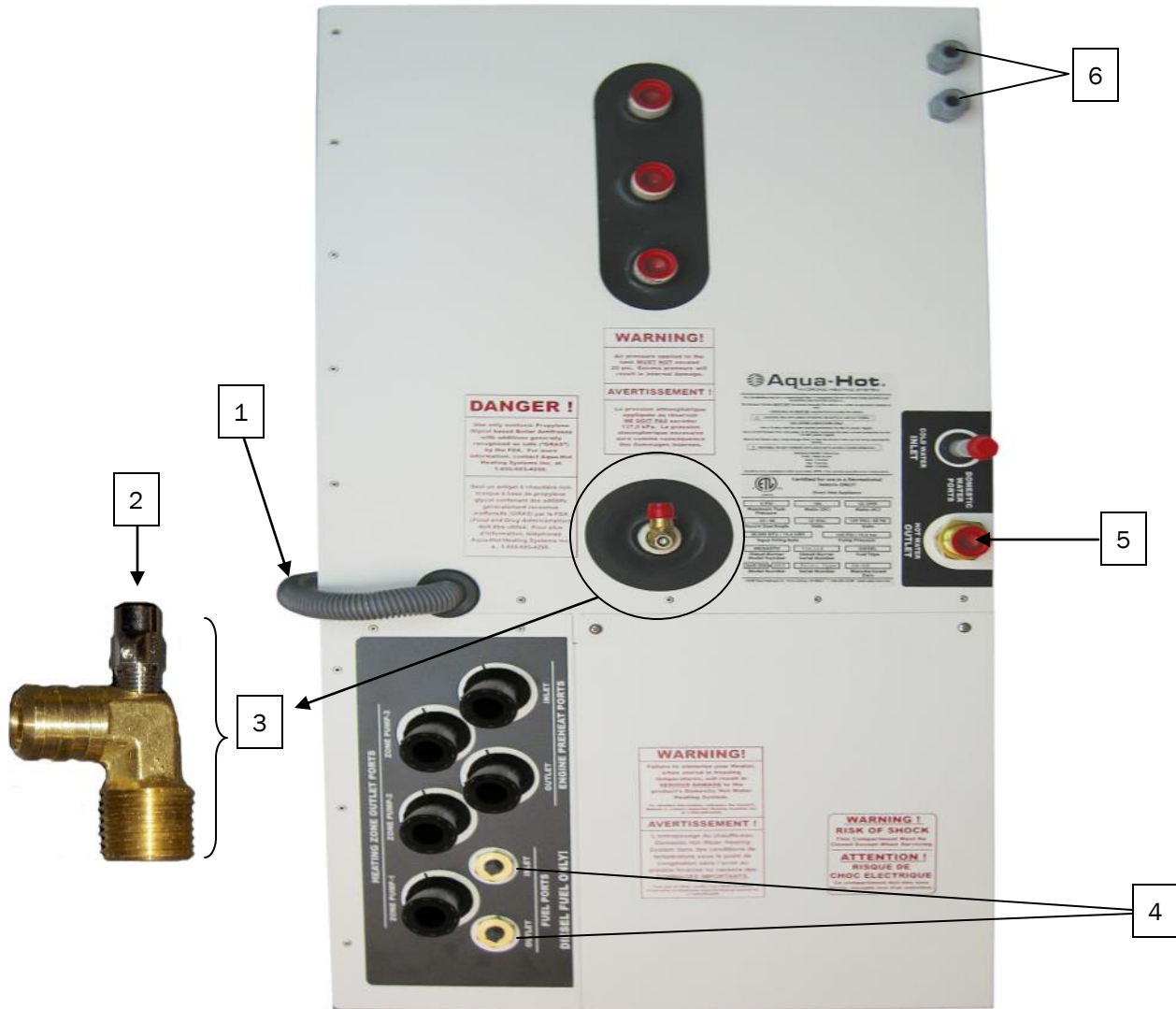
AHE-675-D03



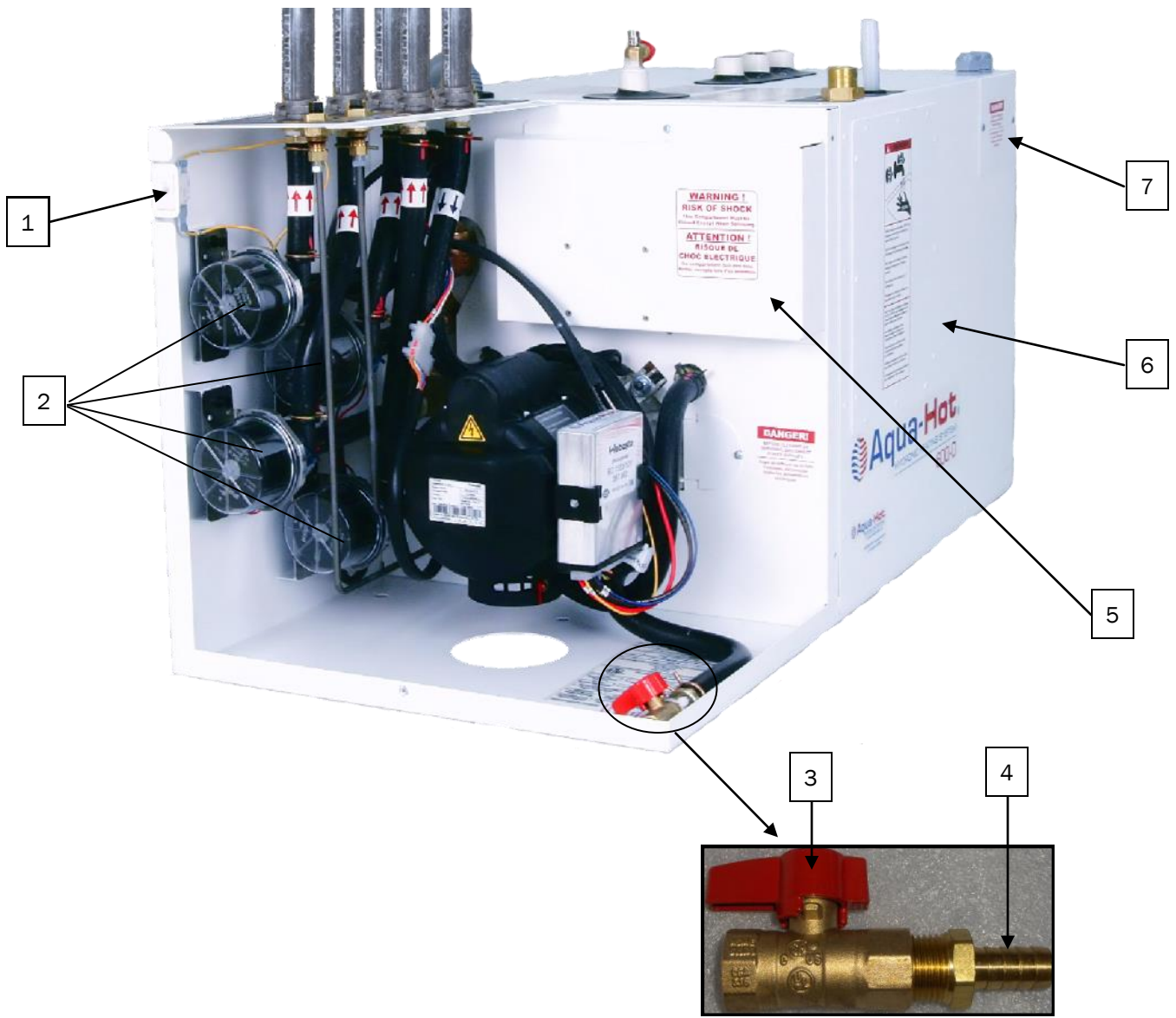
| | |
|--|----|
| Heater Overview | |
| General | 5 |
| Top | 6 |
| Front | 7 |
| A.C | 10 |
| Sensors | 11 |
| Mixer Valve Assembly | 13 |
| Combustion Chamber Assembly | 14 |
| Diesel-Burner | |
| Overview | 15 |
| Miscellaneous Parts & Materials | |
| 19 | |
| Tools | |
| 20 | |



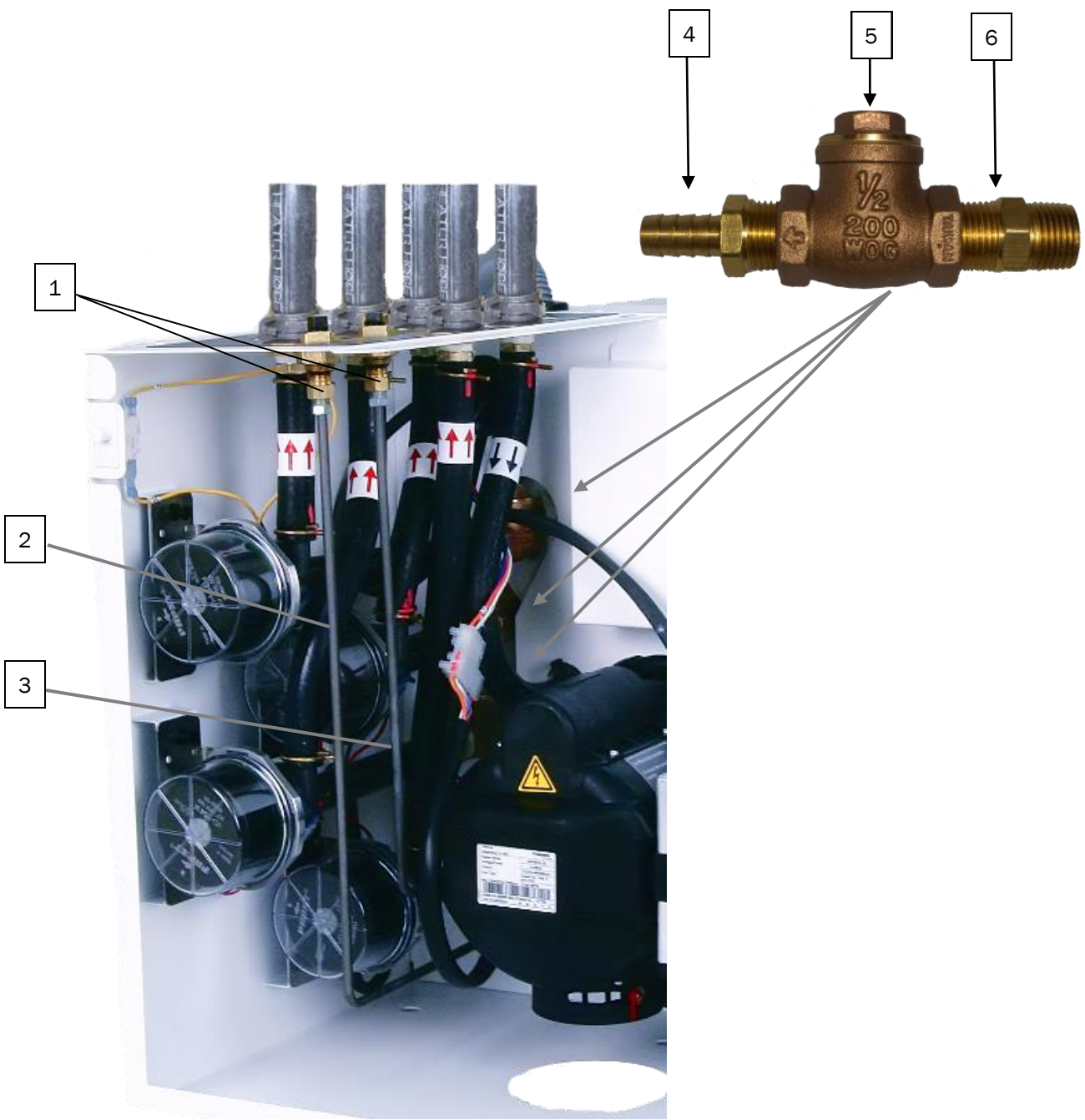
| Key | Part Number | Date of Use | Description |
|-----|----------------|------------------|---|
| 1 | SME-200-501 | | Faceplate, Electronic Controller, Assembly |
| 2 | ELE-PC4-010-AA | | Controller, Electronic, 12 VDC |
| 3 | ELX-312-491 | | Plug, Electronic Controller, 20-position |
| 4 | ELX-312-499 | | Plug, Electronic Controller, 8-position |
| 5a | ELE-000-907 | 08/2009- 12/2010 | Panel, Switch, Assembly, 4-position, 12 VDC - OBSOLETE |
| 5b | ELE-000-907 | 01/2011- 08/2011 | Panel, Switch, Assembly, 4-position, 12 VDC - OBSOLETE |
| 5c | ELE-000-908 | 09/2011- Current | Panel, Switch, Assembly, 4-position, 12 VDC |
| 6a | ELX-283-284 | 08/2009- 12/2010 | Switch, Rocker, w/LED - OBSOLETE |
| 6b | ELX-283-284 | 01/2011- 08/2011 | Switch, Rocker, w/LED - OBSOLETE |
| 6c | ELX-283-283 | 09/2011- Current | Switch, Rocker, w/LED |
| 7 | SME-EN4-008 | | Back, Electronic Controller, Enclosure |
| 8 | PLE-622-902 | | Tank, 5 QT, Expansion assembly |
| 9 | PLE-210-191 | | Tube, Over Flow Clear 5/8 in. x 8ft. |
| 10 | SME-600-007 | | Cover, Access Front |
| 11 | PLX-450-860 | | Sleeve, Air Intake, 3 in DIA x 4 in. Long Rubber |
| 12 | SME-600-009 | | Tray, Mounting Assembly, 600 |
| 13 | SME-600-006 | | Cover, Access Side |



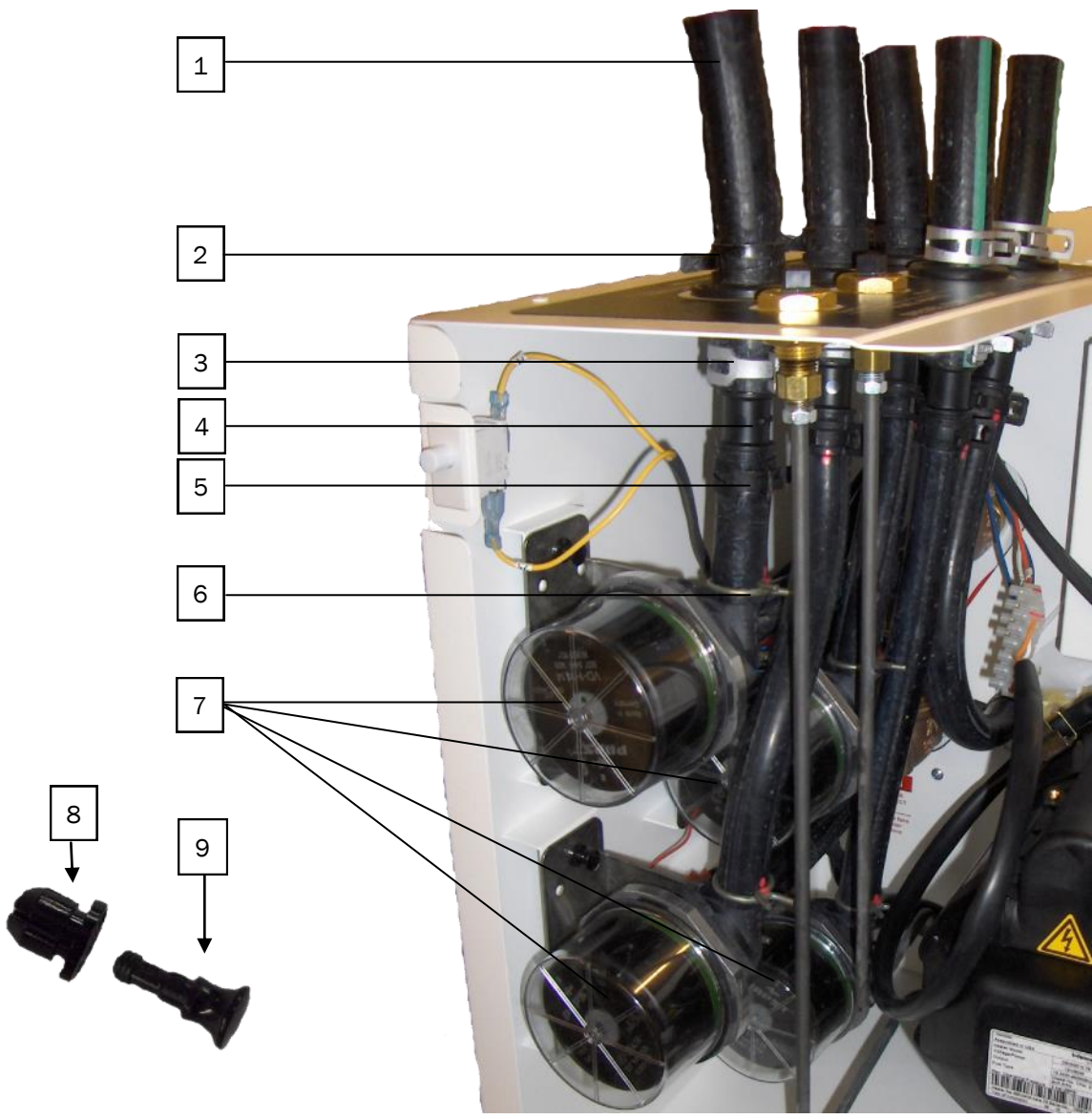
| Key | Part Number | Description |
|-----|-------------|--|
| 1 | ELE-100-464 | Harness, Circulation Pump and Burner Control 12ft. |
| 2 | PLX-007-065 | Valve, Air Comb, Coin/Key |
| 3 | PLE-007-000 | Valve, Air Assembly Comb, Coin/Key |
| 4 | PLX-105-800 | Fitting, Bulkhead, 1/4 x 1/4 in (F) NPT Brass |
| 5 | PLE-105-810 | Fitting, Bulkhead Mod 1/2 x 1/2 (F) |
| 6 | HDX-000-623 | Clamp, Romex 1/2' Plastic |



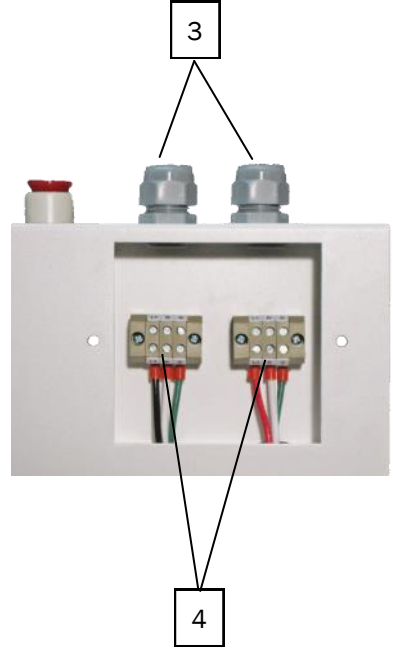
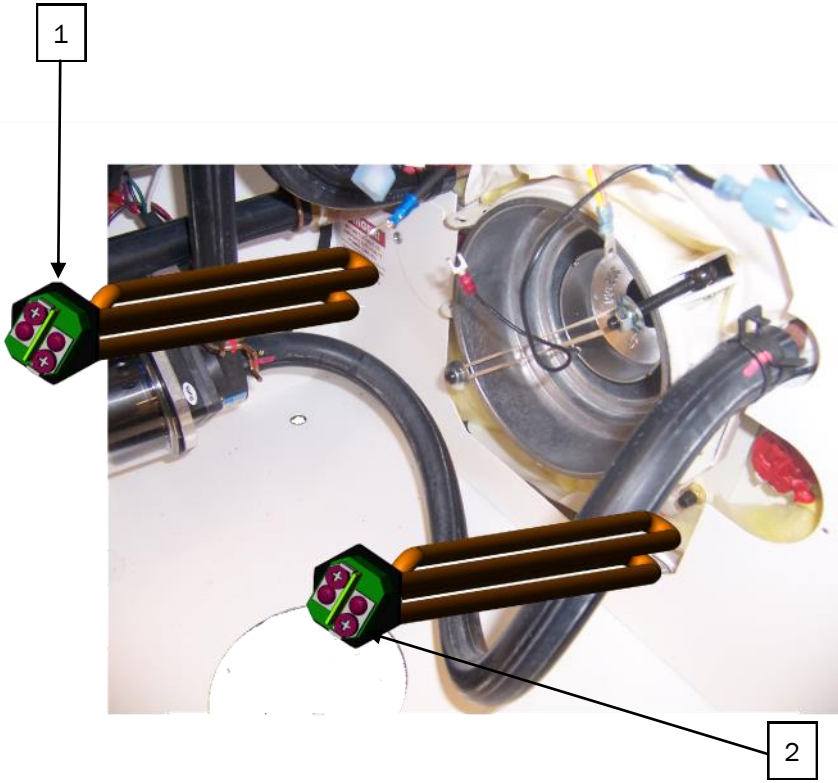
| Key | Part Number | Description |
|-----|-------------|---------------------------------------|
| 1 | ELX-000-050 | Switch, Interlock |
| 2 | PLE-100-814 | Pump, Zone Circulation/Engine Preheat |
| 3 | PLX-BV1-200 | Valve, Ball 1/2 in. (F) NPT Brass |
| 4 | PLX-699-330 | Fitting, Brass Barb 1/2 x 1/2 (M) NPT |
| 5 | SME-600-002 | Cover, Access Thermostat |
| 6 | SME-700-172 | Cover, Access Service Domestic Water |
| 7 | SME-200-202 | Cover, VAC Access |



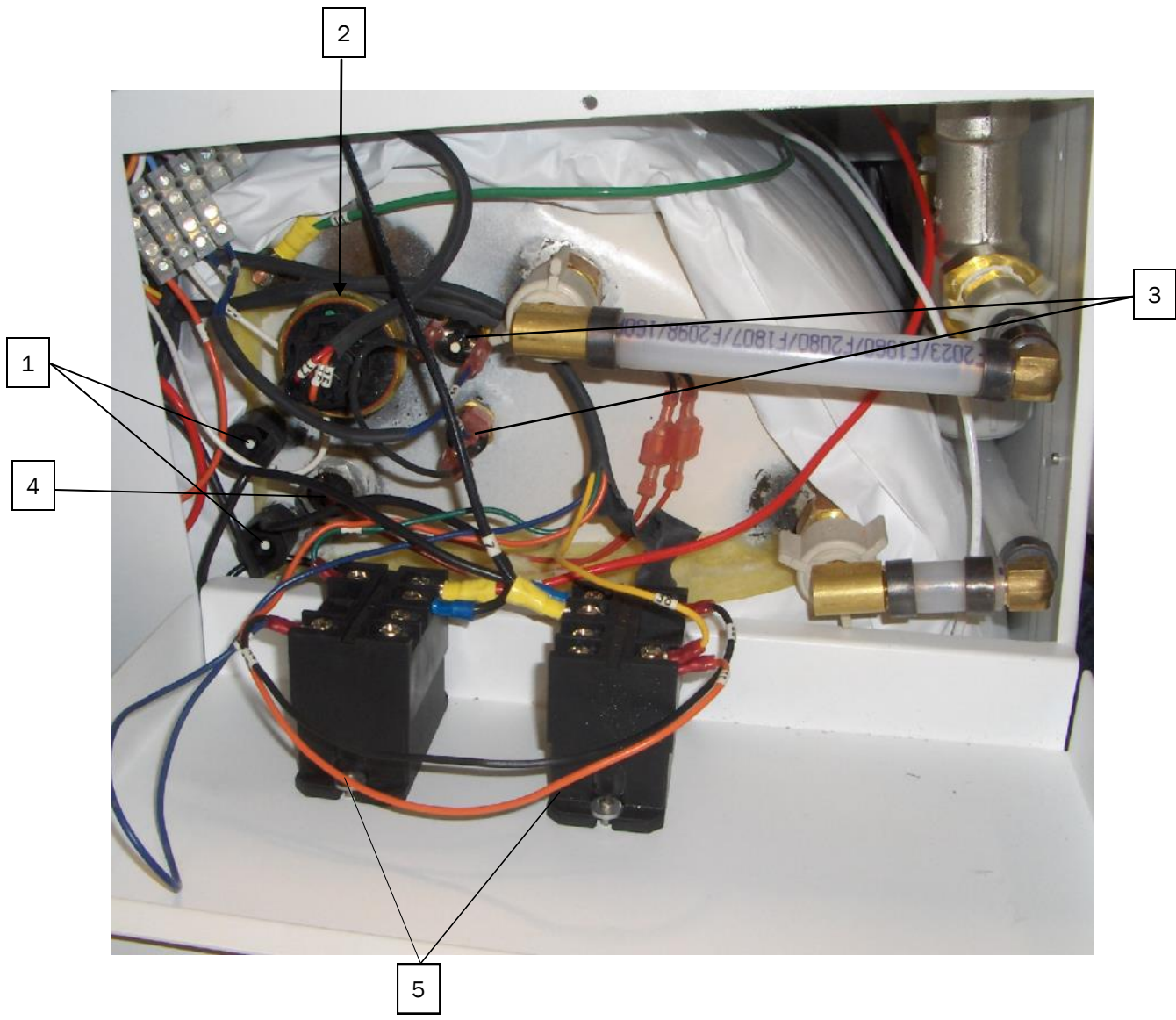
| Key | Part Number | Description |
|-----|-------------|--|
| 1 | FLX-421-000 | Fitting, Inverted Flare Connector 1/4 Tube x 1/4 (M) NPT |
| 2 | FLE-421-858 | Tube, Return Fuel Line Assembly 1/4 in Steel |
| 3 | FLE-421-859 | Tube, Supply Fuel Line Assembly 1/4 in Steel |
| 4 | PLX-699-330 | Fitting, Brass, Barb 1/2 x 1/2 (M) NPT |
| 5 | PLX-2A1-300 | Valve, Brass Check, 1/2 x 1/2 (F) NPT |
| 6 | PLX-122-000 | Fitting, Brass, Close Nipple 1/2 (M) NPT w/ Hex |



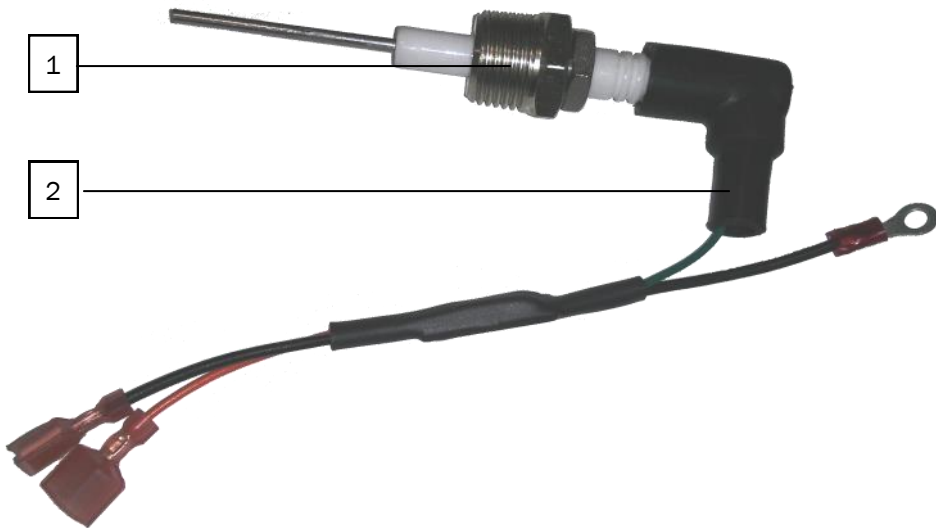
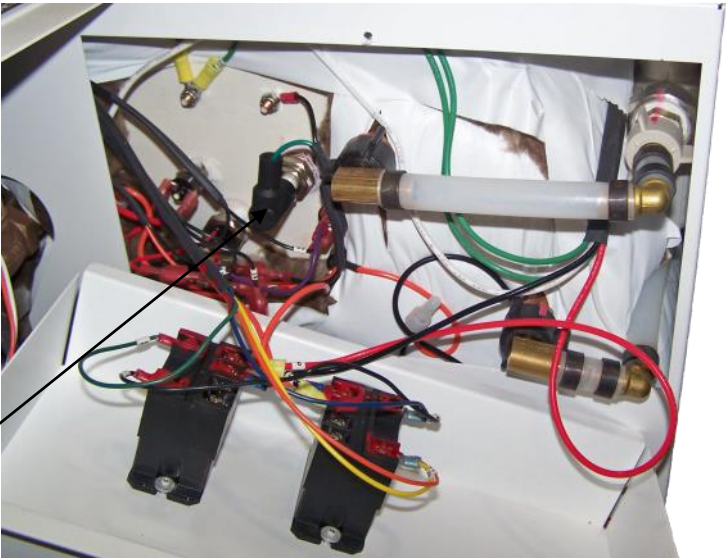
| Key | Part Number | Description |
|-----|-------------|--|
| 1 | PLX-000-433 | Hose, Heater Green Stripe 3/4 in. |
| 2 | PLX-CTB-270 | Clamp, Hose Constant Tension 3/4 in. |
| 3 | PLX-CTB-290 | Clamp, Hose Constant Tension 1 1/16 in. diameter |
| 4 | PLX-000-815 | Fitting, Reducer 3/4 in. to 1/2 in. Black Nylon |
| 5 | PLX-CTB-250 | Clamp, Hose, Constant Tension 23/32 |
| 6 | PLX-000-140 | Clamp, Hose Single Wire 7/8 in Steel |
| 7 | PLE-100-814 | Pump, Circ. Assembly Zone/Engine Preheat w/ cap and Gasket |
| 8 | HDX-100-100 | Grommet, Nylatch |
| 9 | HDX-100-200 | Plunger, Nylatch |



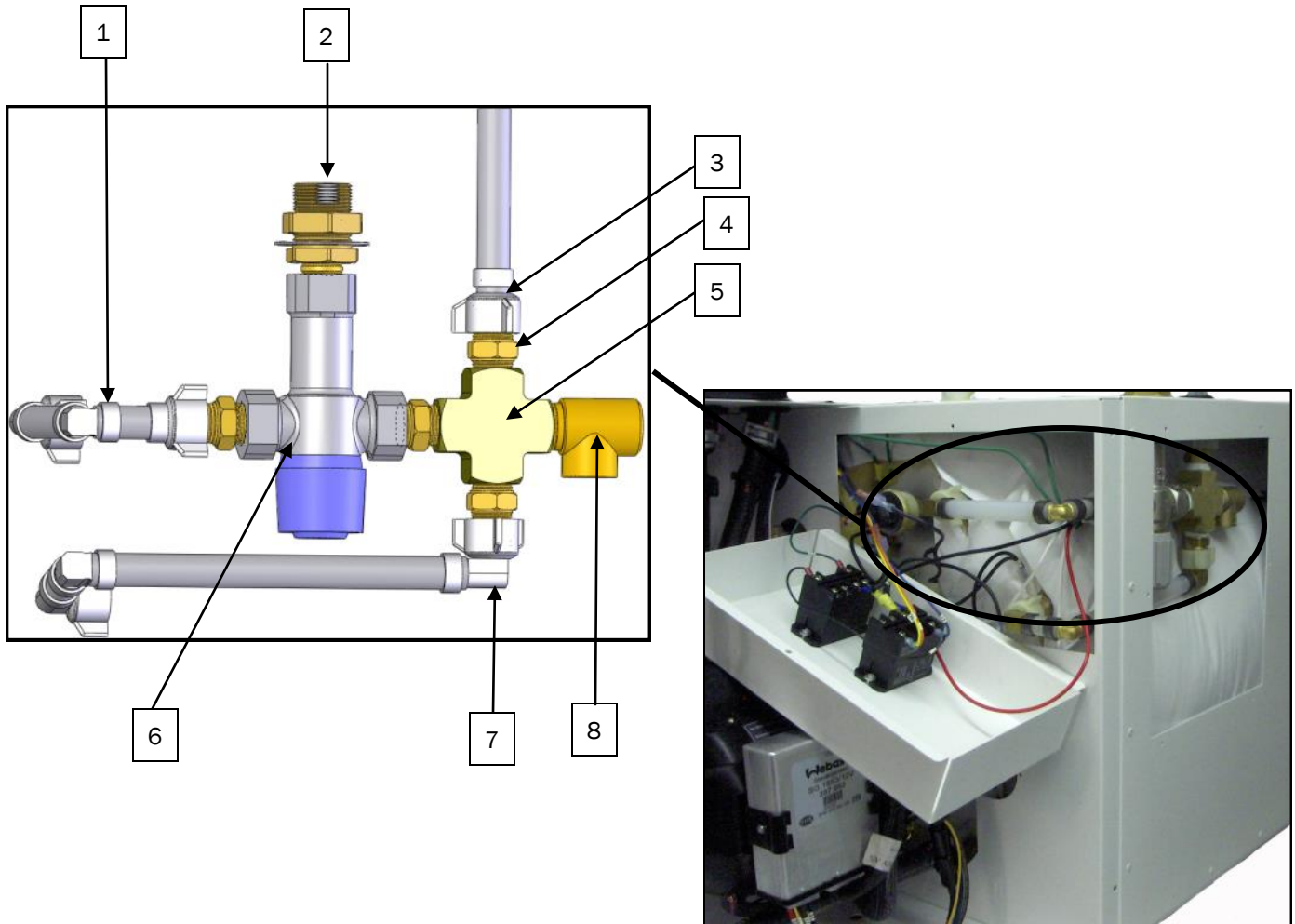
| Key | Part Number | Description |
|-------|-------------|---|
| 1-600 | ELX-G12-07L | Element, Electric Heating 120 VAC/2000 Watt |
| 1-675 | ELX-2E7-600 | Element, Electric Heating 240 VAC/4500 Watt |
| 2 | ELX-G12-07L | Element, Electric Heating 120 VAC/2000 Watt |
| 3 | HDX-000-623 | Clamp, Romex 1/2 in. Plastic |
| 4 | ELE-000-905 | Block, Terminal 3 Position |



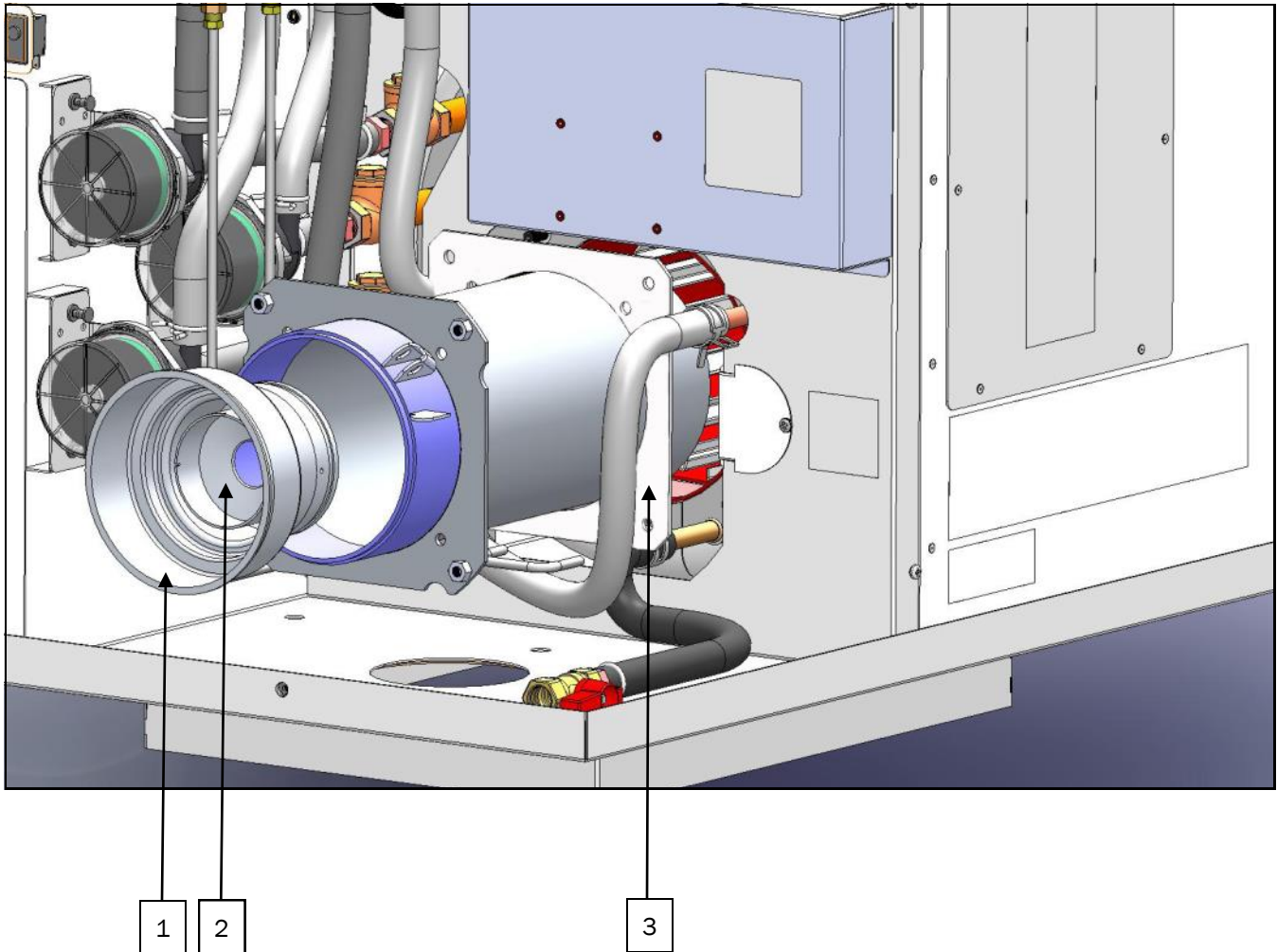
| Key | Part Number | Serial Number | Description |
|-----|-----------------|---------------------------|---|
| 1 | ELE-000-616-FRU | | Thermostat, High Limit VAC 215°F (Electric Element) |
| 2 | ELX-800-003 | A600-090001 - A600-140020 | Switch, Fluid Level Capacitance |
| 3 | ELE-HLT-425 | | Thermostat, High Limit 215°F w/ Spade Connectors (Burner) |
| 4 | ELE-014-005 | | Thermostat Control 185°F 1/2 in. (M) NPT |
| 5 | ELX-630-001 | | Relay, 30A 277 VAC 12VDC Coil |



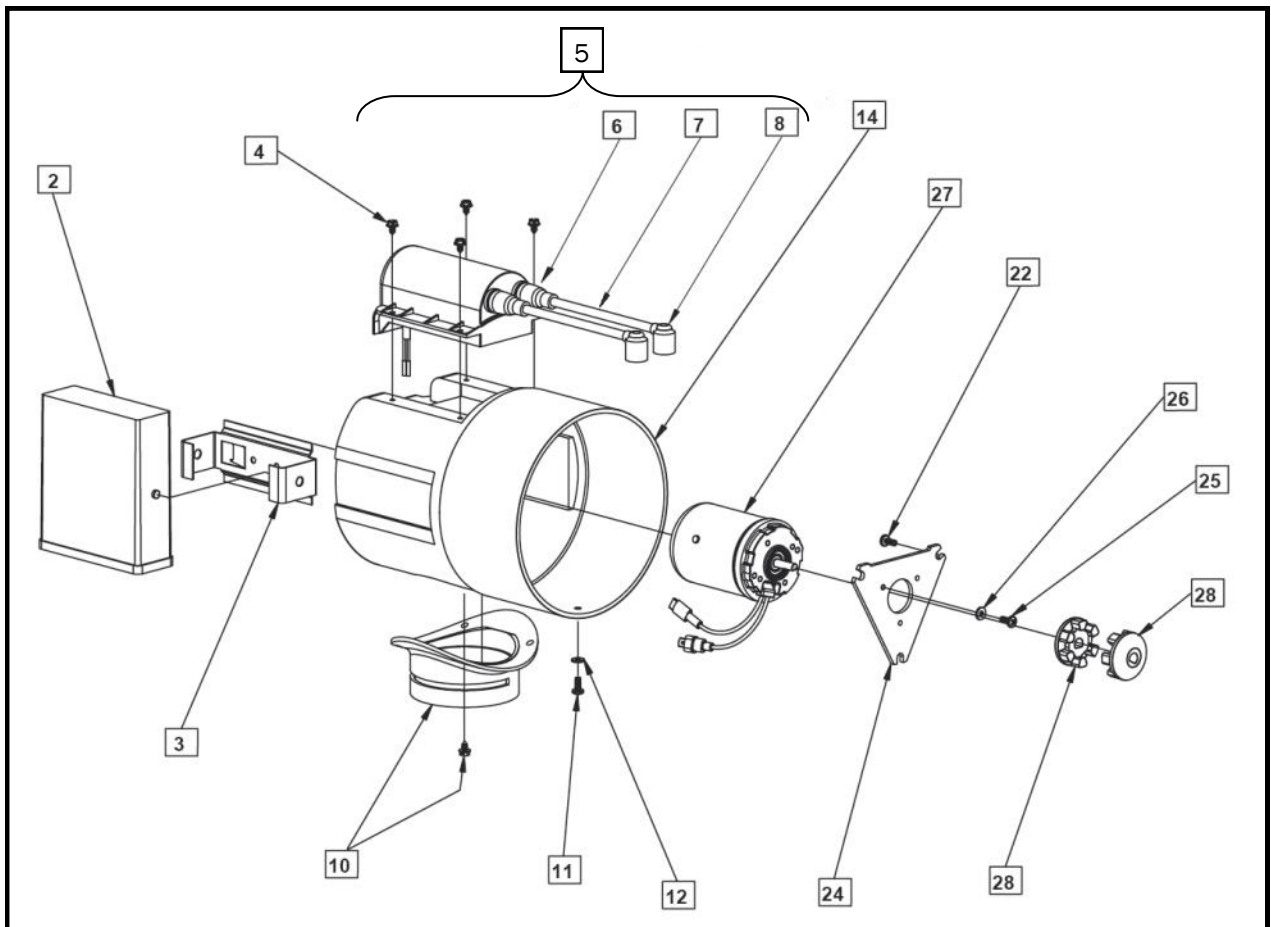
| Key | Part Number | Serial Number | Description |
|-----|-------------|-----------------------|--------------------------------|
| 1 | ELX-800-005 | A600-140021 - CURRENT | Switch, Fluid Level Conductive |
| 2 | ELX-AMP-005 | A600-140021 - CURRENT | Circuit, Amp |



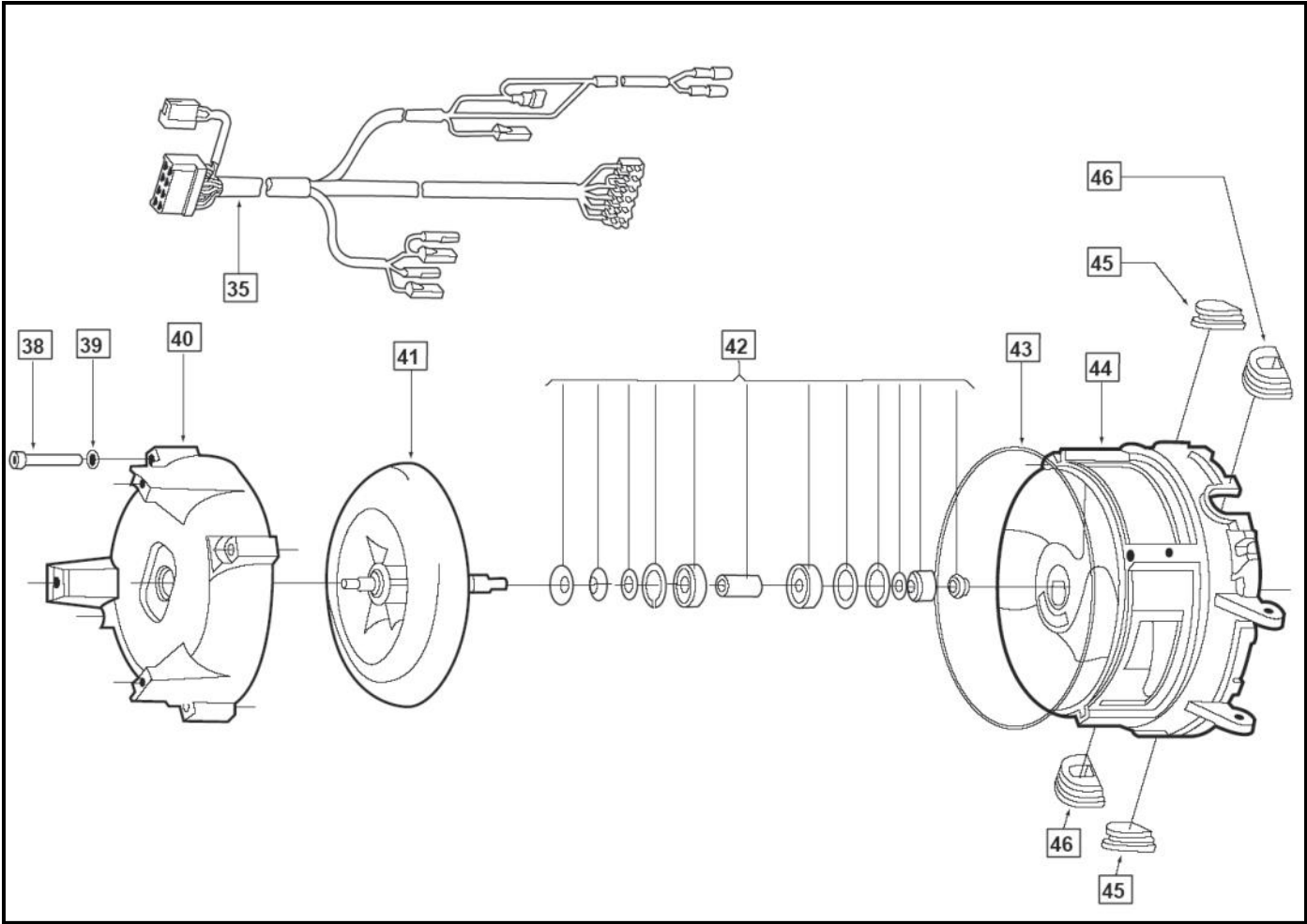
| Key | Part Number | Description |
|-----|-------------|--|
| 1 | PLX-000-745 | Ring, Crimp 1/2 in. |
| 2 | PLE-105-810 | Fitting, Bulkhead Mod 1/2 x1/2 (F) |
| 3 | PLX-000-730 | Fitting, Straight Swivel 1/2 in. Barb x 1/2 in FPT |
| 4 | PLX-122-000 | Fitting Brass, Close Nipple 1/2 (M) NPT w/ Hex |
| 5 | PLX-000-725 | Fitting Cross 1/2 in. Brass |
| 6 | PLX-09P-100 | Valve, Tempering 145°F |
| 7 | PLX-000-755 | Fitting Elbow, Swivel 1/2 in. Barb x 1/2 in. FPT |
| 8 | PLX-111-125 | Valve, Pressure Relief 125 PSI |



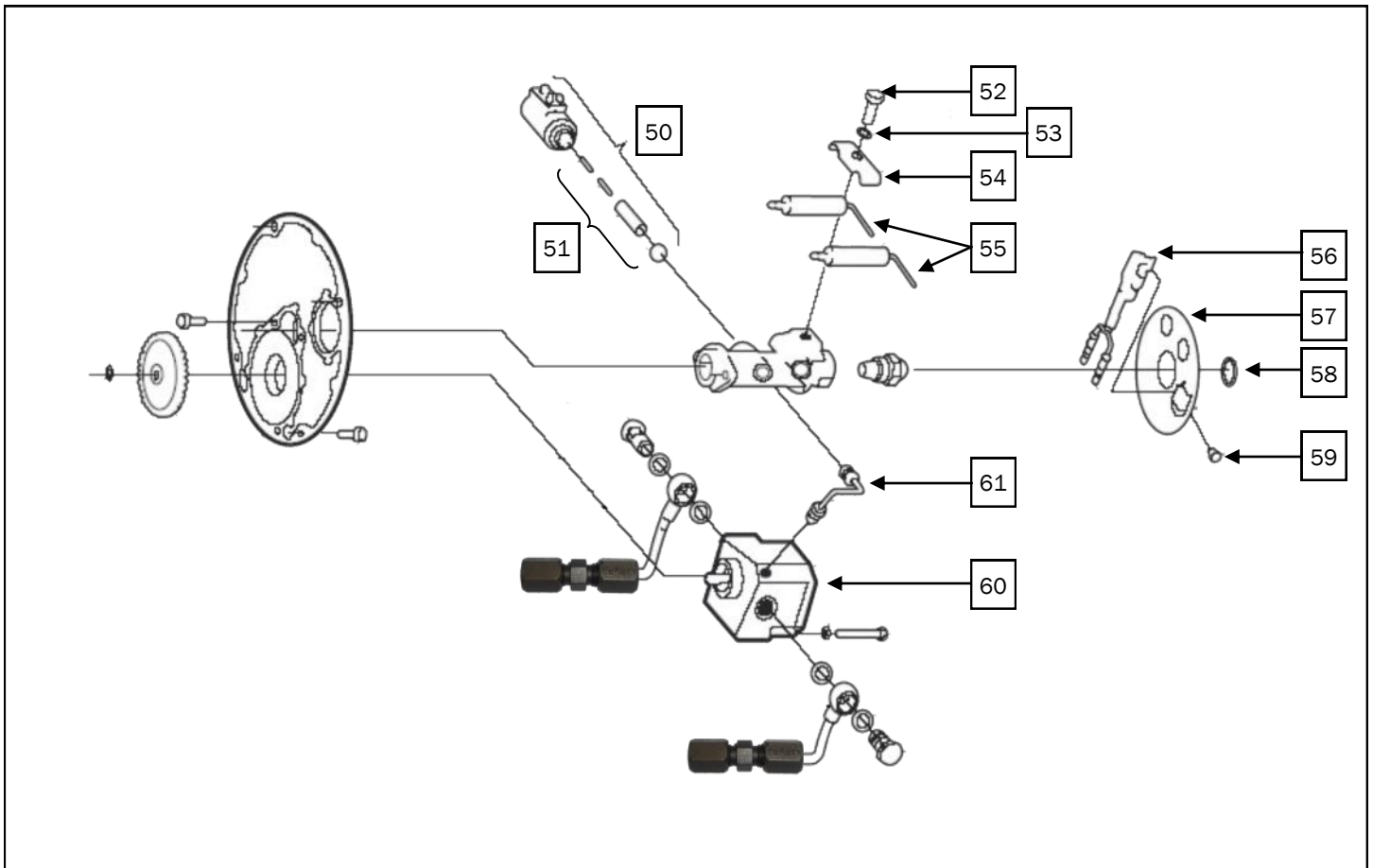
| Key | Part Number | Description |
|-----|-------------|---------------------------------|
| 1 | WPX-302-828 | Housing, Swirler, DBW 2010 |
| 2 | WPX-302-651 | Air Swirler, DBW 2010 |
| 3 | HDE-700-205 | Gasket, Combustion Chamber Tube |



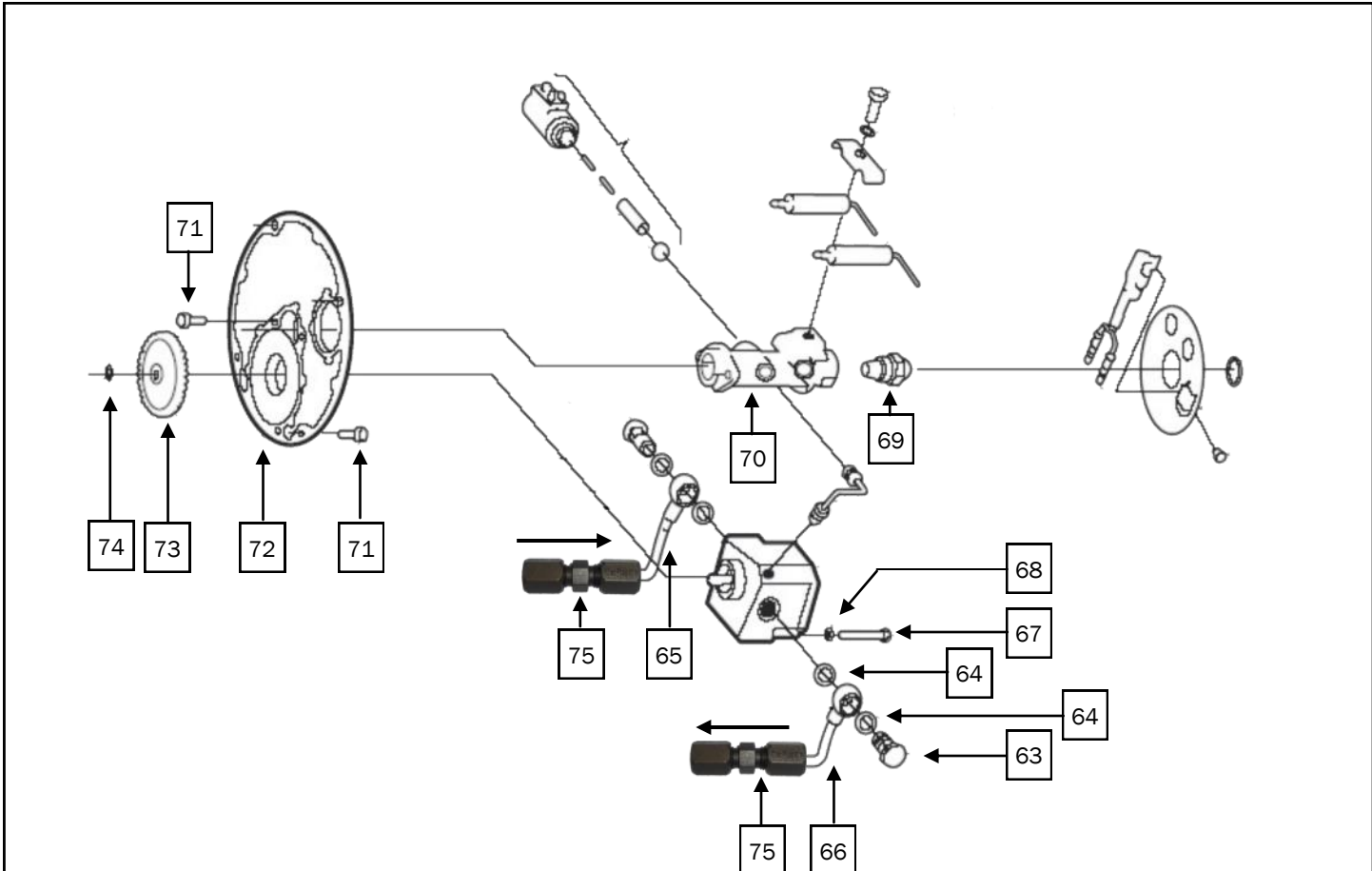
| Key | Part Number | Description |
|-----|-------------|---|
| 2 | WPX-287-962 | Controller, Diesel Burner, 12 VDC |
| 3 | WPX-362-107 | Bracket, Controller Mounting |
| 4 | WPX-470-562 | Screw, Coil Mounting |
| 5 | WPX-101-838 | Coil, Ignition, 12 VDC |
| 6 | WPX-404-918 | Boot, Ignition Wire |
| 7 | WPX-178-624 | Wire, Ignition |
| 8 | WPX-176-494 | Boot Ignition Wire, Elbow |
| 10 | WPX-350-427 | Shutter, Combustion Air Intake |
| 11 | WPX-432-377 | Screw, Protection Housing |
| 12 | WPX-152-269 | Washer, Star, Protection Housing |
| 14 | WPX-436-216 | Cap, Protection, Motor |
| 22 | WPX-147-834 | Screw, Flange, Blower Housing |
| 24 | WPX-425-05A | Plate, Motor Mounting |
| 25 | WPX-432-377 | Screw, Motor Plate |
| 26 | WPX-152-269 | Washer, Star, Motor Plate |
| 27 | WPX-425-060 | Motor, Combustion Air/Fuel Pump, 12 VDC |
| 28 | WPX-350-516 | Clutch, Half, 6mm |



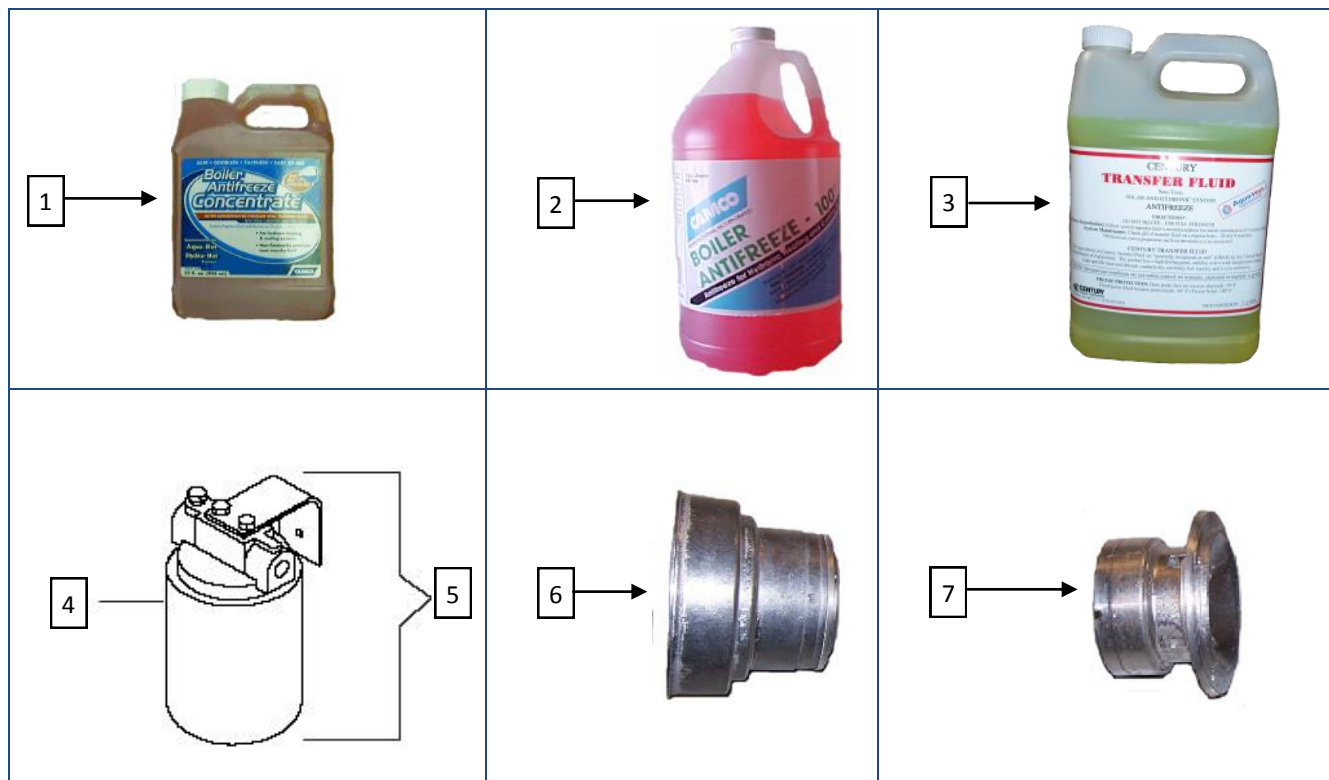
| Key | Part Number | Description |
|-----|-------------|--------------------------------|
| 35 | WPX-434-795 | Harness, C-Plug |
| 38 | WPX-148-210 | Screw, Blower Casting |
| 39 | WPX-152-552 | Washer, Lock, Blower Casting |
| 40 | WPX-301-841 | Housing, Blower |
| 41 | WPX-373-001 | Blower, Wheel w/ Shaft |
| 42 | WPX-378-313 | Bearing Kit |
| 43 | WPX-412-244 | O-Ring Blower Casting |
| 44 | WPX-225-67A | Casting, Blower |
| 45 | WPX-298-964 | Grommet, Blower Casting, Left |
| 46 | WPX-299-995 | Grommet, Blower Casting, Right |



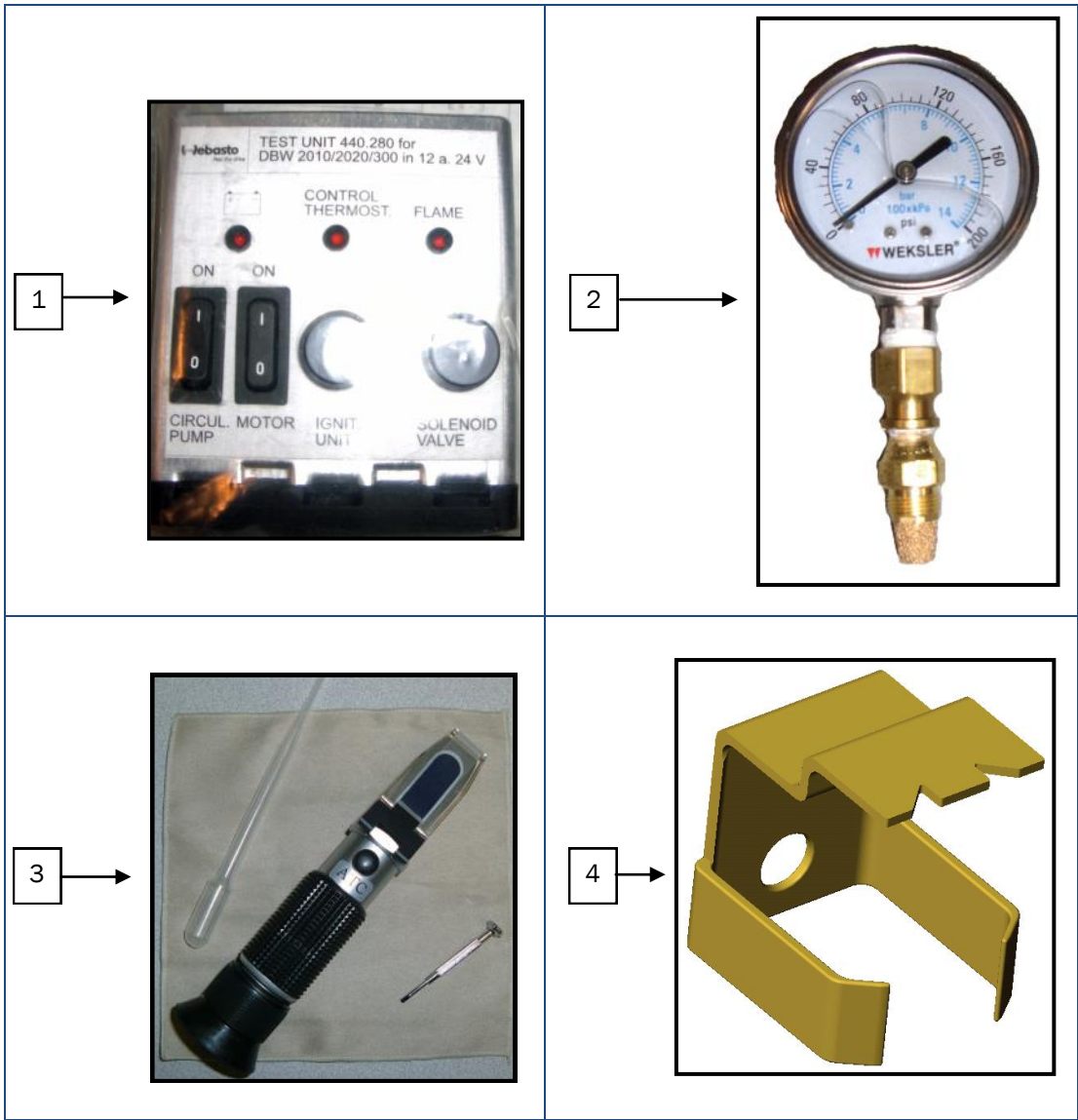
| Key | Part Number | Description |
|-----|-------------|------------------------------|
| 50 | WPX-322-083 | Valve, Fuel Solenoid, 12 VDC |
| 51 | WPX-386-650 | Valve, Fuel Solenoid, Kit |
| 52 | WPX-267-279 | Bolt, Electrode |
| 53 | WPX-152-560 | Washer, Lock, Electrode |
| 54 | WPX-278-971 | Clamp, Electrode |
| 55 | WPX-274-313 | Electrode, Ignition |
| 56 | WPX-638-78A | Sensor, Flame |
| 57 | WPX-887-71A | Disc, Photo |
| 58 | WPX-453-048 | Clip, Retaining, Photo Disc |
| 59 | WPX-147-699 | Screw, Flame Sensor |
| 60 | WPX-503-03A | Pump, Fuel, Kit |
| 61 | WPX-665-49A | Tube, Fuel, High Pressure |



| Key | Part Number | Description |
|-----|-------------|--|
| 63 | WPX-150-754 | Bolt, Banjo |
| 64 | WPX-151-157 | Gasket, Ring, Copper |
| 65 | WPX-661-002 | Pipe, Fuel, Banjo, Supply, DBW 2010 (W/ Straight Tube) |
| 66 | WPX-661-001 | Pipe, Fuel, Banjo, Return, DBW 2010 (W/ Straight Tube) |
| 67 | WPX-277-282 | Screw, Mounting, Fuel Pump |
| 68 | WPX-152-544 | Washer, Lock, Fuel Pump |
| 69 | WPX-886-41A | Nozzle, Fuel, 0.35 GPH |
| 70 | WPX-412-198 | Manifold, Fuel Nozzle, Brass |
| 71 | WPX-277-150 | Screw, Plate, Nozzle Stand |
| 72 | WPX-102-861 | Plate, Manifold |
| 73 | WPX-371-289 | Gear, Fuel Pump, Nylon |
| 74 | WPX-152-390 | Snap, Ring, Gear |
| 75 | FLX-421-010 | Fitting, Hex Union 1.4 in. Tube |



| Key | Part Number | Description |
|-----|-------------|---|
| 1 | MSX-300-275 | Antifreeze, Boiler, P.G., 1 QT. Concentrate (Camco) |
| 2 | MSX-300-270 | Antifreeze, Boiler, P.G., 1 Gallon (Camco) |
| 3 | MSX-300-300 | Antifreeze, Boiler, P.G., 1 Gallon (Century Transfer Fluid) |
| 4 | FLE-120-100 | Filter, Canister, Replacement, Garber |
| 5 | FLX-120-000 | Filter, Fuel, Garber |
| 6 | WPX-302-828 | Housing, Swirler, DBW 2010 |
| 7 | WPX-302-651 | Air Swirler, DBW 2010 |



| Key | Part Number | Description |
|-----|-------------|--|
| 1 | WPX-440-280 | Test, Controller |
| 2 | WPE-600-190 | Gauge, Fuel Pressure |
| 3 | MSX-907-162 | Tester, Refractometer, Battery/Coolant |
| 4 | WPX-310-646 | Gauge, Adjustment, Electrode |

PARTS MANUAL

600 SERIES



AHE-600-D03

AHE-675-D03



7501 Miller Drive, Frederick, CO 80504

Visit us online at www.aquahot.com
Call us at 1(800) 685-4298 or (303) 651-5500

©2014 Aqua-Hot Heating Systems Inc. Printed In U.S.A.